



LED FIRE BASIC

SURFACE MOUNT EMERGENCY



EV-LED FIRE-SM-BASIC
SKU: 18193

EV-LED FIRE-SM-BASIC-B
SKU: 14510

FEATURES

- Round design
- Emergency classification D32 (2hr)
- Quick assembly connect feature
- Fully compliant (AS/NZS 2293)
- Low power consumption



SINGLE POINT UNIT:

Out of the box works as SPU



SURFACE MOUNT:

Can easily be mounted on the ceiling



ROD MOUNT:

Suspend the Surface Mount using a rod



LIFEPO4 BATTERY:

Environmentally friendly lithium iron phosphate battery

ORDERING INFORMATION

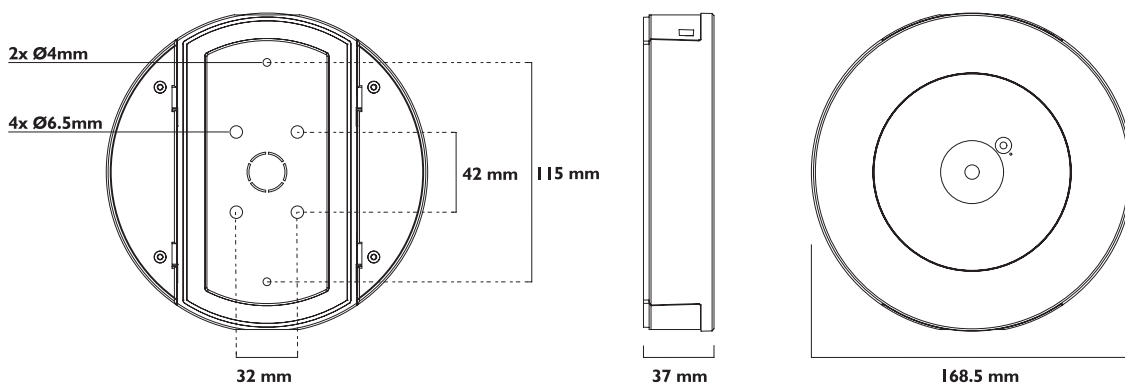
SKU	PRODUCT CODE	DESCRIPTION	PRODUCT NUMBER	CARTON QTY
18193	EV-LED FIRE-SM-BASIC	Ledfire Basic Surface Mounted Emergency Luminaire D32	9336462181935	8
14510	EV-LED FIRE-SM-BASIC-B	Ledfire Basic Surface Mounted Emergency Luminaire D32 Black	9336462145104	8

OPERATIONAL INFORMATION

GENERAL				BATTERY	
Voltage	220-240Vac	Emergency classification	D32	Battery type	LiFePO4
Frequency	50Hz	Mounting type	Surface / Rod mount	Battery voltage	3.2V 1500mAh
Max. ambient temp.	40°C	Wiring	Hardwired	Battery code(s)	01307
Class	2	Lamp power	1.4W (D32)	Charger type	Variable
Duration	120min	Avg. power consumption	0.35W	Charging time	16 Hours
IP Rating	IP20	Max. power consumption	2W		

CONSTRUCTION AND DIMENSIONS

BODY (FINISH) PC



NOTE: For more information on the chemical resistance of our polycarbonate, please see the technical downloads page at ektor.com.au

ACCESSORIES LIST

SKU	ORDER CODE	DESCRIPTION
01307	EV-1500mAh-3.2V-LiFePO4-Loom	Battery 1500mAh 3.2V
01990	EV-RODMOUNT-WHT	Rod Mount Brackets, Rod size Ø25mm
02004	EV-RODMOUNT-BLK	Rod Mount Brackets, Rod size Ø25mm

SPACING TABLE (DISTANCE BETWEEN FITTINGS)

Lx	CLASSIFICATION	MOUNTING HEIGHT (M)															
		2.1	2.4	2.7	3	3.3	3.6	4	4.5	5	6	7	8	9	10	15	20
0.2	D32	15.4	16.1	16.7	17.2	17.6	18.0	18.5	19.1	19.5	20.2	20.6	20.7	20.6	20.3	14.6	

Datasheet is subject to change without notice

Last updated: 29.March 2019_V1.2



Please view our website for **full datasheet**