

PRODUCT DATASHEET

SPOT SQUARE DK ADJ 8 W 3000 K WT

SPOT SQUARE DARKLIGHT ADJUST | Recessed mounted spotlight, adjustable, square shape



AREAS OF APPLICATION

- Replacement of halogen lamp spotlights
- General accent lighting
- Shops, boutiques
- Hotel rooms
- Bars, restaurants
- Galleries, museums
- Residential interiors

PRODUCT BENEFITS

- Cut off angle for comfortable indoor lighting
- High luminous efficacy
- Die-cast aluminum housing for improved heat dissipation
- Energy savings of up to 90 % compared to halogen lamp spotlights
- External driver for extended flexibility (compatible with selected DALI drivers)
- Easy replacement of external driver thanks plug with bayonet lock
- Design matches the LEDVANCE Spot-, Down- and Tracklight luminaire family
- 5 years guarantee

PRODUCT FEATURES

- Adjustable tilt angle: +/- 20°
- Initial color consistency: ≤ 4 SDCM
- Lens material: PMMA



TECHNICAL DATA

Electrical data

Nominal wattage	8.00 W
Operating mode	External LED driver
Nominal voltage	220...240 V
Power factor λ	>0.5
Mains frequency	50/60 Hz

Luminaire control gear data

ECG - Length	78 mm
ECG - Width	32 mm
Max. no. of lum. on circuit break. B16 A	32
Max. no. of lum. on circuit break. C10 A	26
Max. no. of lum. on circuit break. C16 A	41

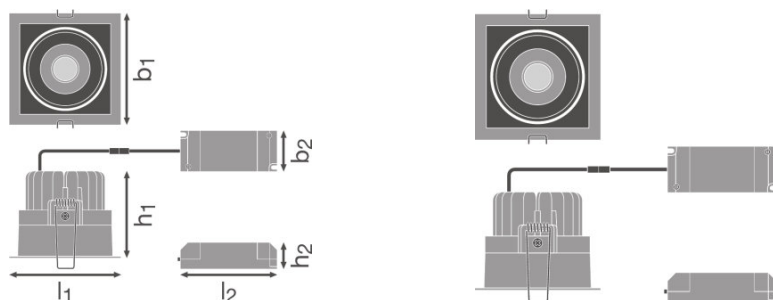
Photometrical data

Color temperature	3000 K
Luminous flux	650 lm
Luminous efficacy	90 lm/W
Standard deviation of color matching	≤ 4 sdc _m
Light color (designation)	Warm White
Color rendering index Ra	>80

Light technical data

Beam angle	36 °
------------	------

Dimensions & weight



Length	90.0 mm
Width	90.0 mm

Height	72.0 mm
Product weight	230.00 g

Colors & materials

Body material	Aluminum
Housing color	White
Product color	White
Cover material	Polymethylmethacrylate (PMMA)

Temperatures & operating conditions

Ambient temperature range	-10...40 °C
----------------------------------	-------------

Lifespan

Lifespan L70 at 25 °C	50000 h
Lifespan L80 at 25 °C	45000 h
Lifespan L90 at 25 °C	30000 h

Additional product data

Mounting type	Recessed
Mounting location	Ceiling

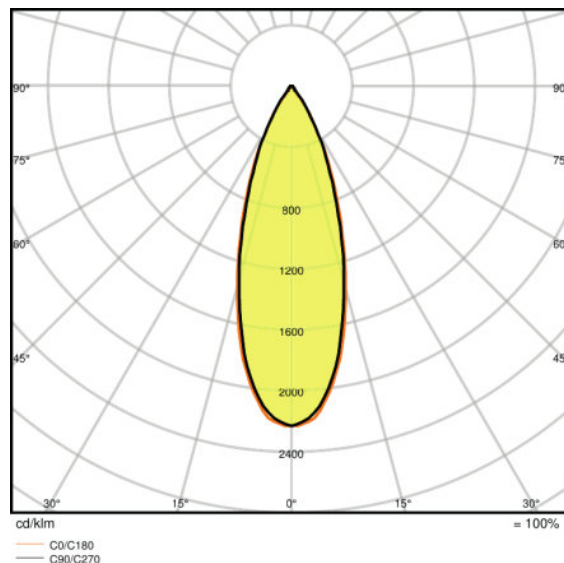
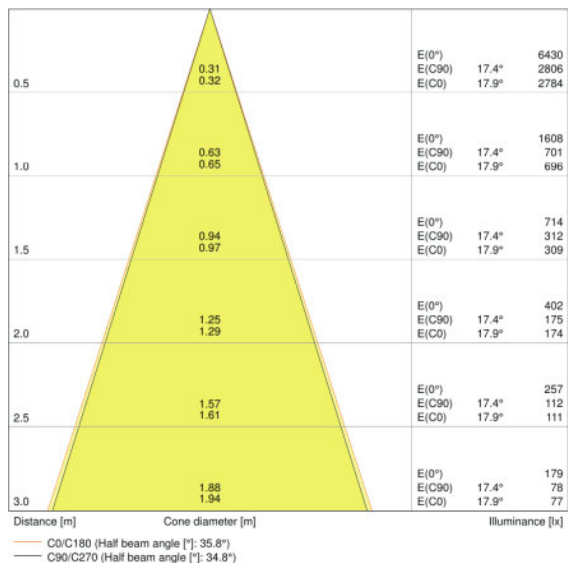
Capabilities

Adjustable	Yes
Dimmable	No
Type of connection	Screw terminal, 2-Pole (L,N)
LED module replaceable	Not replaceable

Certificates & standards

Protection class IK (shock resistance)	IK03
Glow Wire Test according to IEC 695-2-1	650 °C
Photobio. safety group acc. to EN62471	RG 0
Protection class	II
Type of protection	IP20
Standards	CE/TÜV SÜD/RoHS/ENEC

Light Distribution



LDC typ cone

LDC typ polar

EQUIPMENT / ACCESSORIES

- Driver included

LOGISTICAL DATA

Product code	Product description	Packaging unit (Pieces/Unit)	Dimensions (length x width x height)	Volume	Gross weight
4058075114043	SPOT SQUARE DK ADJ 8 W 3000 K WT	Shipping carton box 6	345 mm x 115 mm x 245 mm	9.72 dm ³	1795.00 g

The mentioned product code describes the smallest quantity unit which can be ordered. One shipping unit can contain one or more single products. When placing an order, for the quantity please enter single or multiples of a shipping unit.

REFERENCES / LINKS

For Guarantee see
 ▶ www.ledvance.com/guarantee

DISCLAIMER

Subject to change without notice. Errors and omission excepted. Always make sure to use the most recent release.