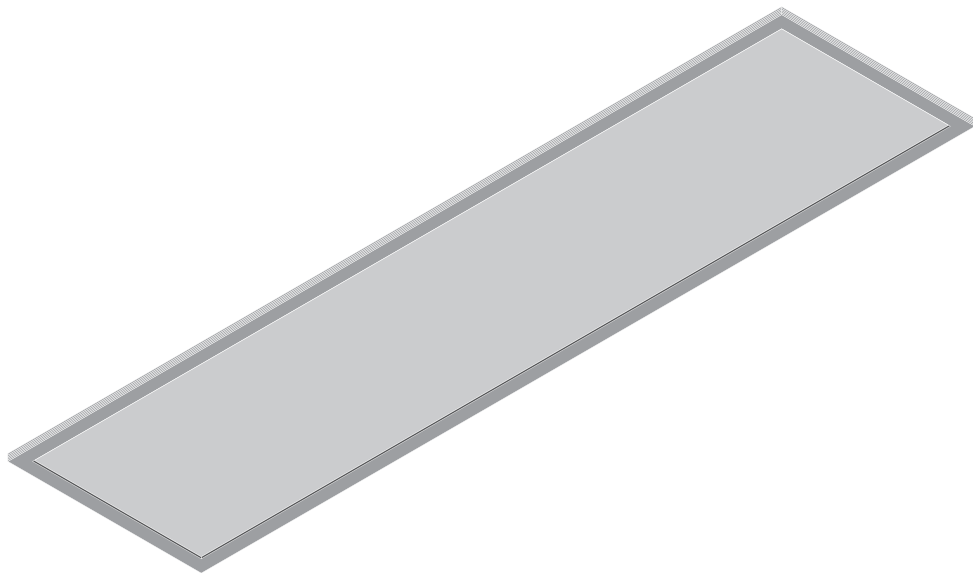




# Panel LED



	EAN	L x W x H	W	lm	lm/W	K	IP	IK		R <sub>a</sub>	
Panel LED 1200 33W/3000K UGR<19	4058075807266	1195x295x10.5	33	3100	95	3000	20	06	90°	>80	3.3 kg
Panel LED 1200 33W/4000K UGR<19	4058075807280	1195x295x10.5	33	3300	100	4000	20	06	90°	>80	3.3 kg
Panel LED 1200 40W/3000K	4058075807327	1195x295x10.5	40	4000	100	3000	20	06	120°	>80	3.3 kg
Panel LED 1200 40W/4000K	4058075807303	1195x295x10.5	40	4000	100	4000	20	06	120°	>80	3.3 kg



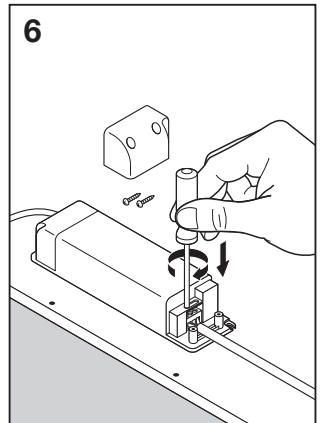
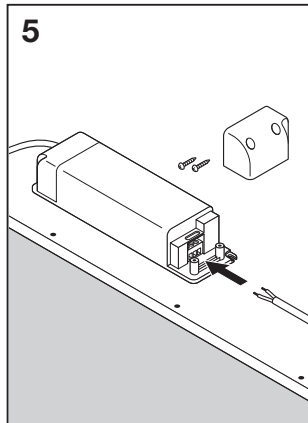
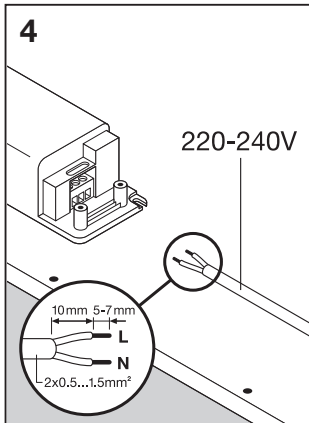
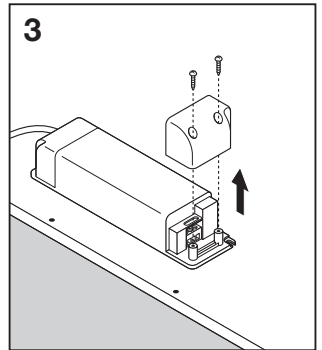
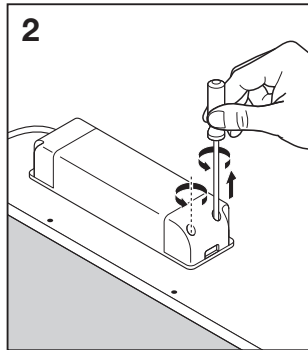
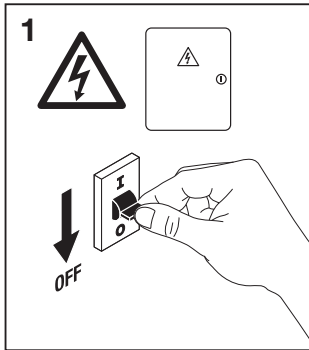
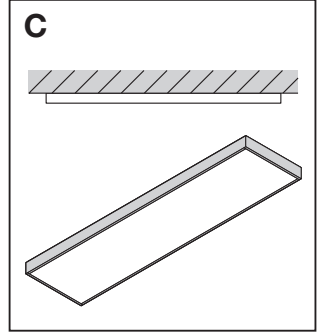
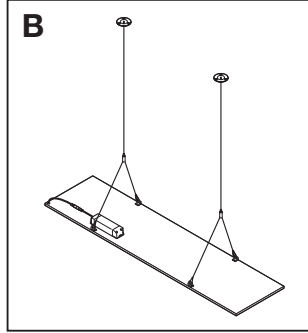
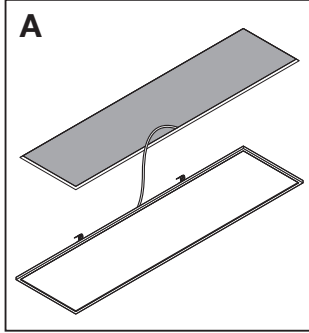
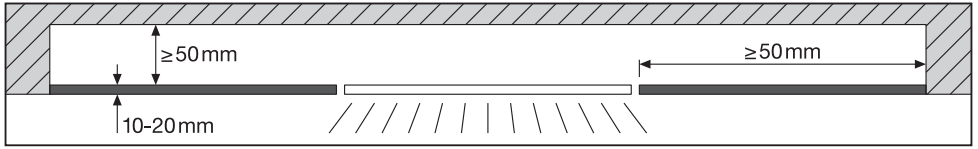
SMD  
LED

IP20

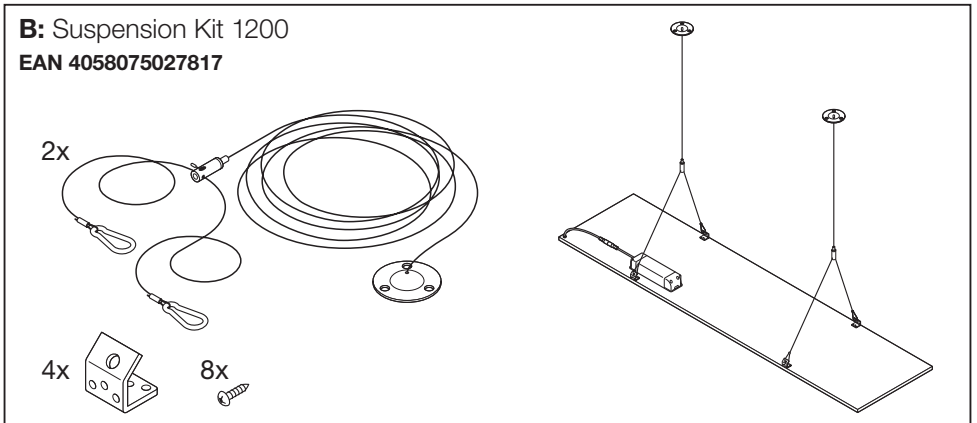
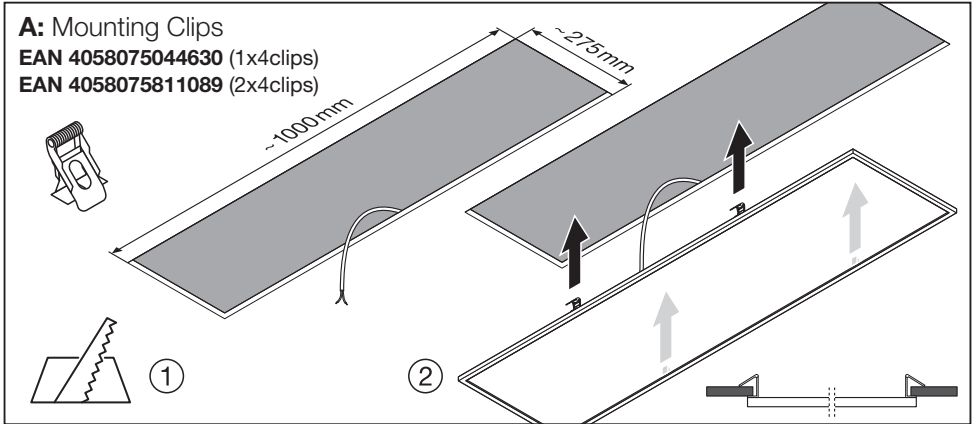
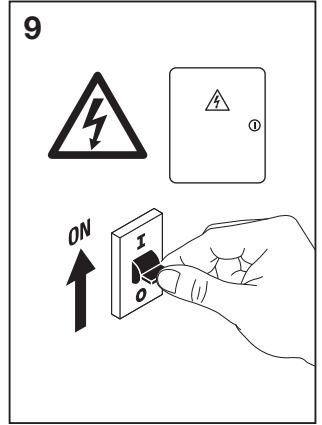
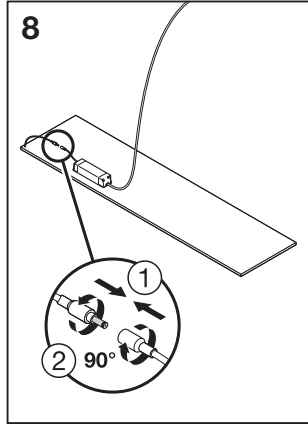
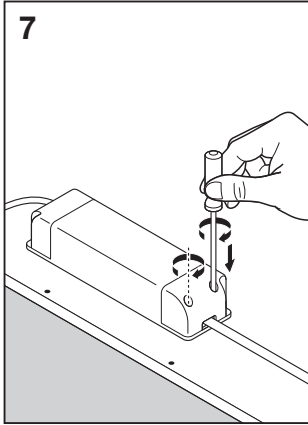
**LEDVANCE**  
OSRAM



# Panel LED

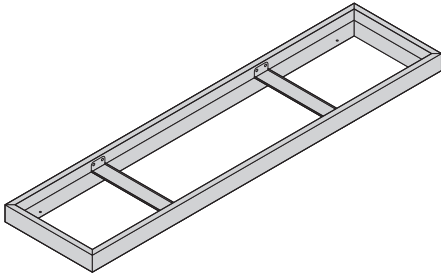


Panel LED



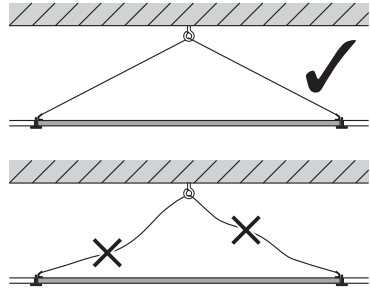
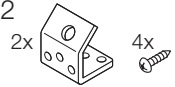
**C: Surface Mount Kit 1200**



**EAN 4058075813854**



**D: Security Bracket 1x2**

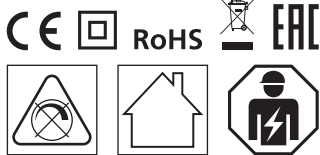
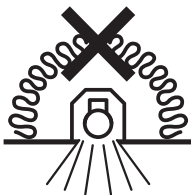
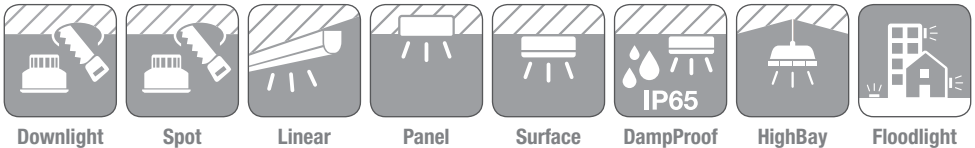
**EAN 4058075043916**



		C10A 	B16A 	C16A 
Panel LED 1200	33W UGR<19 40W	32	35	50

	EAN	Temp (°C)	V <sub>AC</sub>	Hz	I <sub>OUT</sub> [mA]	PF
Panel LED 1200 33W/3000K UGR<19	4058075807266	-10...+45	220-240V	50/60 Hz	900 @ 22-35V 60V Max.	> 0.95
Panel LED 1200 33W/4000K UGR<19	4058075807280	-10...+45	220-240V	50/60 Hz	900 @ 22-35V 60V Max.	> 0.95
Panel LED 1200 40W/3000K	4058075807327	-10...+45	220-240V	50/60 Hz	1200 @ 22-30V 60V Max.	> 0.95
Panel LED 1200 40W/4000K	4058075807303	-10...+45	220-240V	50/60 Hz	1200 @ 22-30V 60V Max.	> 0.95

[www.luminaires.ledvance.com](http://www.luminaires.ledvance.com)



C10449057  
G11016105  
24.04.17

LEDVANCE GmbH  
Steinerne Furt 62  
86167 Augsburg  
Germany  
[www.ledvance.com](http://www.ledvance.com)