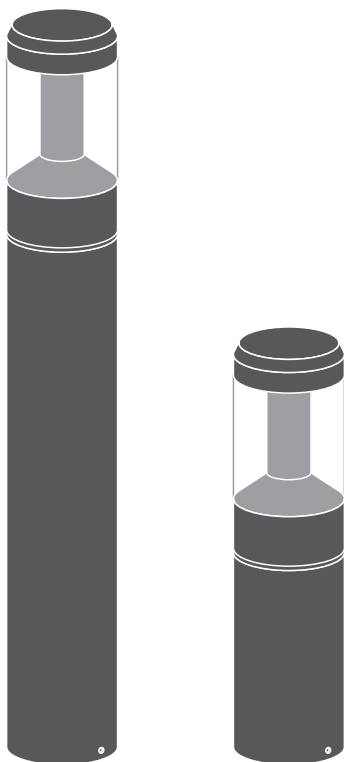


Outdoor Bollard Lantern



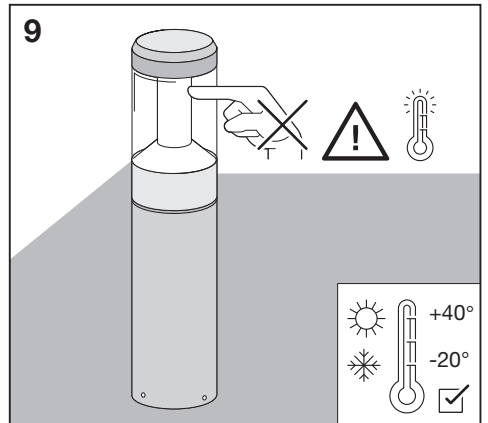
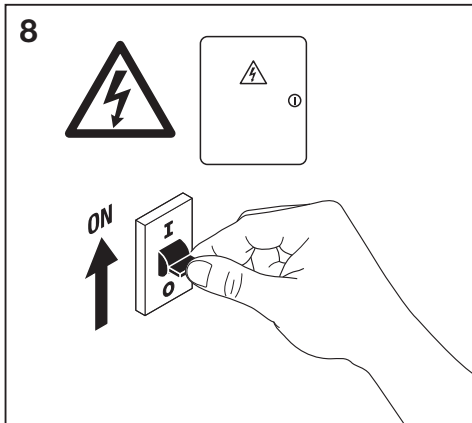
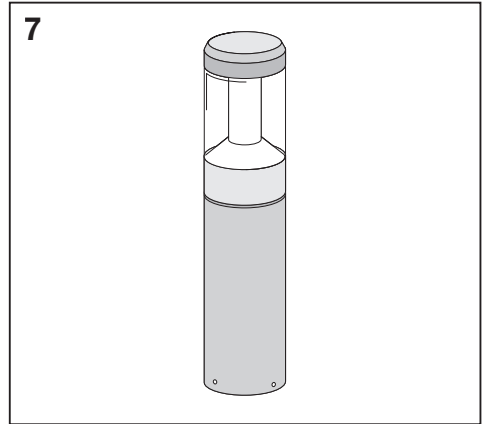
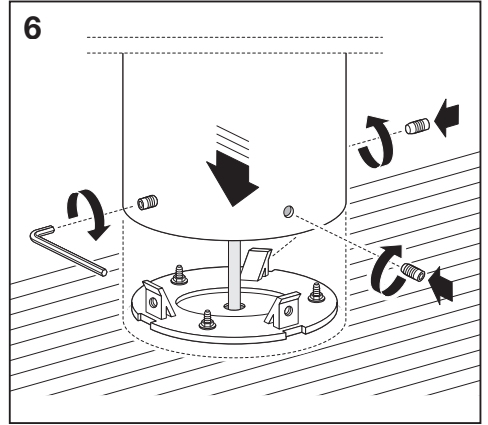
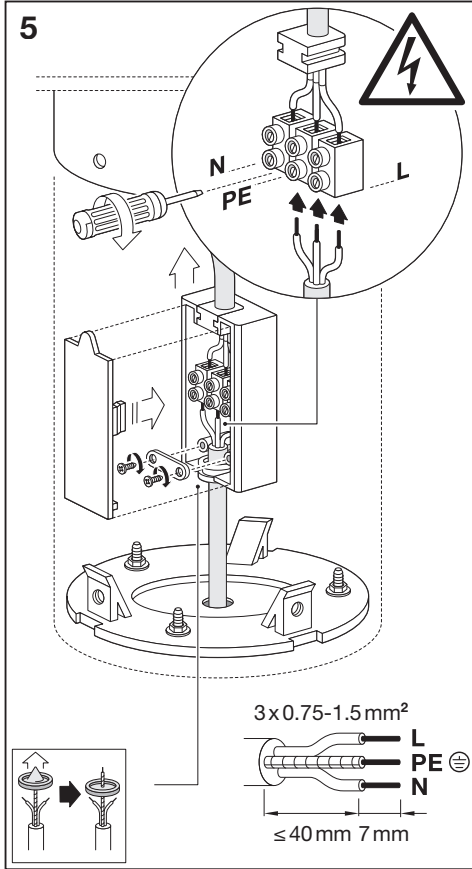
| | EAN | Ø x H | W | lm | lm/W | K | IP | IK |
|---|---------------|---------|----|-----|------|-------|----|----|
| Outdoor Bollard 500 Lantern 12W/3000K GY IP54 | 4058075074859 | 110x500 | 12 | 610 | 50 | 3000K | 54 | 06 |
| Outdoor Bollard 900 Lantern 12W/3000K GY IP54 | 4058075074873 | 110x900 | 12 | 610 | 50 | 3000K | 54 | 06 |

| | EAN | ∠ | ⊖ (°C) | PF | R _a | V _{AC} | Hz | ⊞ |
|---|---------------|------|----------|-------|----------------|-----------------|----------|--------|
| Outdoor Bollard 500 Lantern 12W/3000K GY IP54 | 4058075074859 | 210° | -20...40 | ≥ 0.5 | ≥ 80 | 220-240V | 50/60 Hz | 1.9 kg |
| Outdoor Bollard 900 Lantern 12W/3000K GY IP54 | 4058075074873 | 210° | -20...40 | ≥ 0.5 | ≥ 80 | 220-240V | 50/60 Hz | 3.1 kg |



LEDVANCE

Outdoor Bollard Lantern



www.luminaires.ledvance.com



Downlight



Spot



Linear



Panel



Surface



DampProof



HighBay



Floodlight



C10449057
G11033058

15.12.17

LEDVANCE GmbH
Steinerne Furt 62
86167 Augsburg
Germany
www.ledvance.com