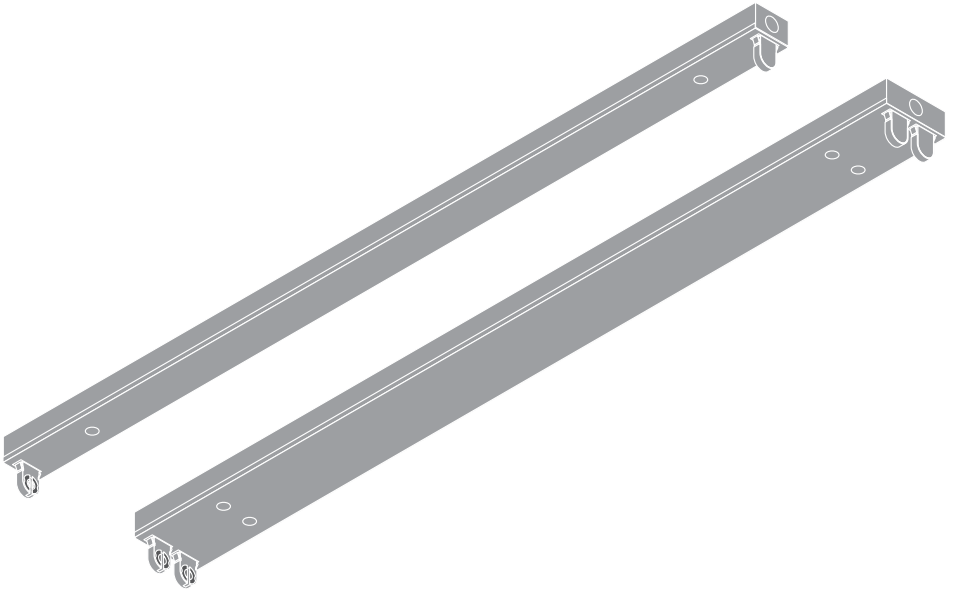


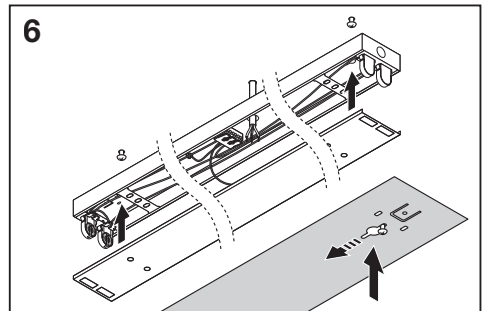
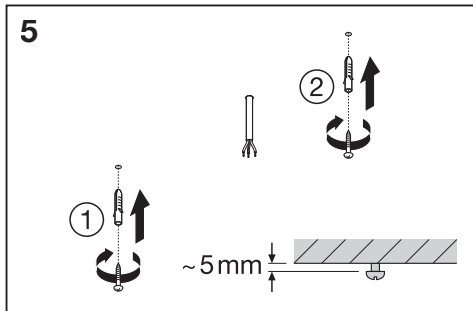
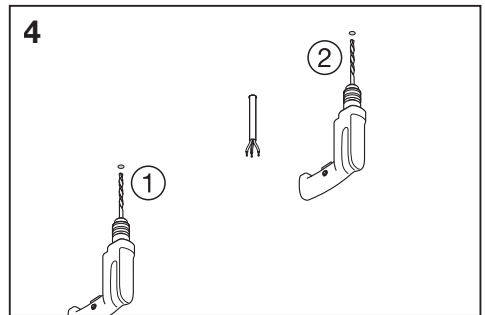
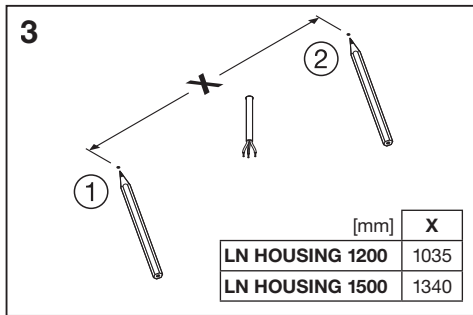
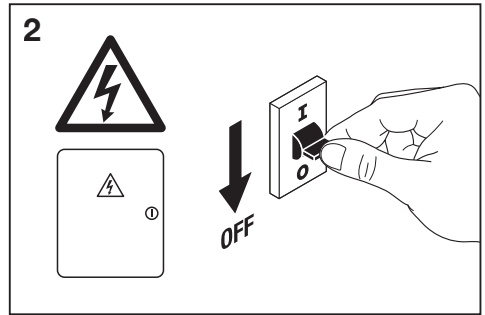
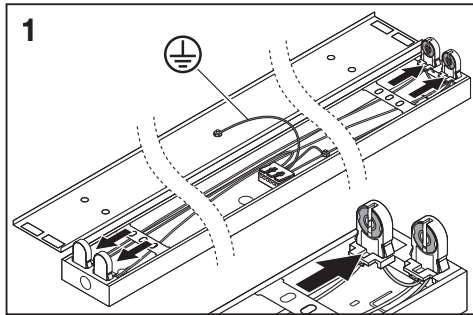
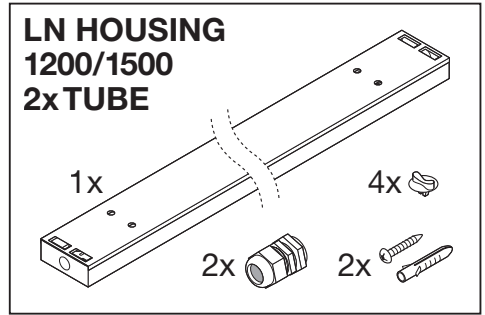
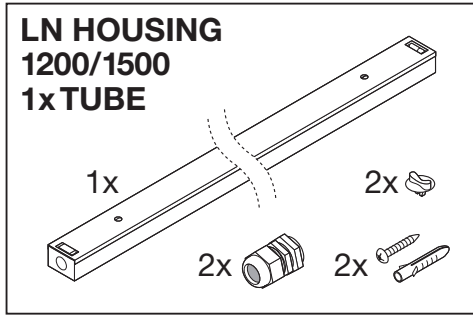
---

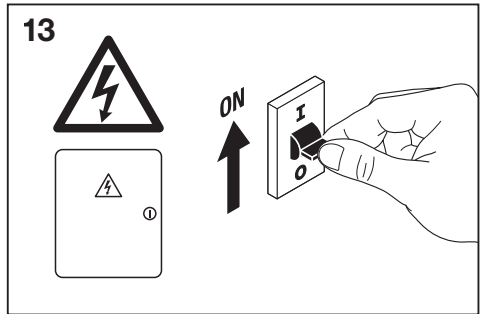
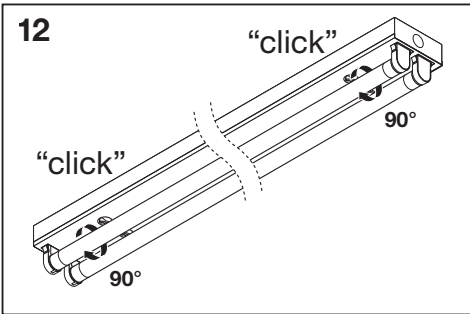
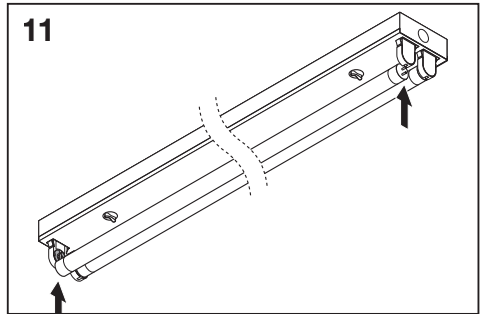
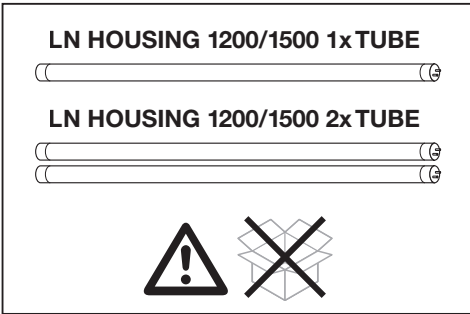
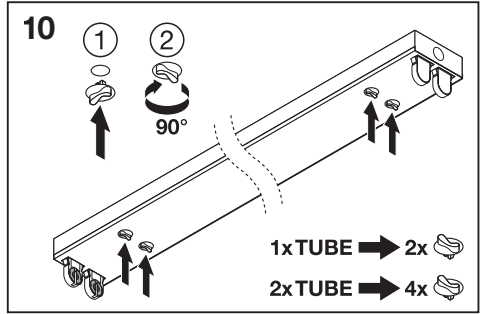
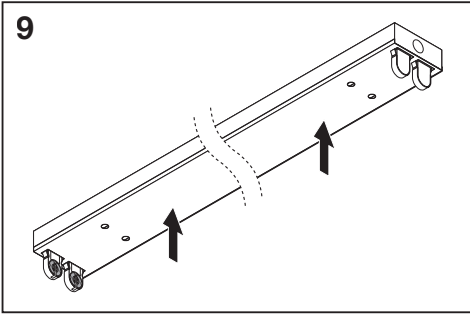
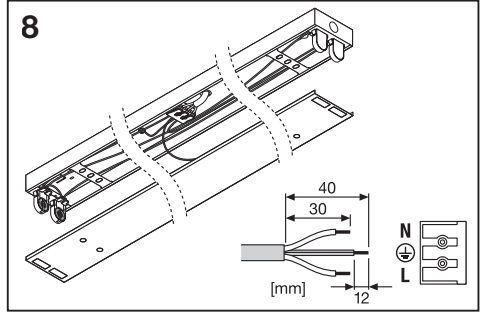
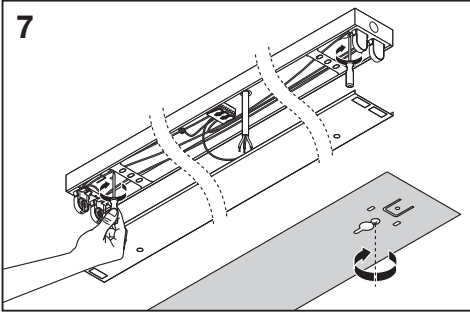
## LINEAR HOUSING

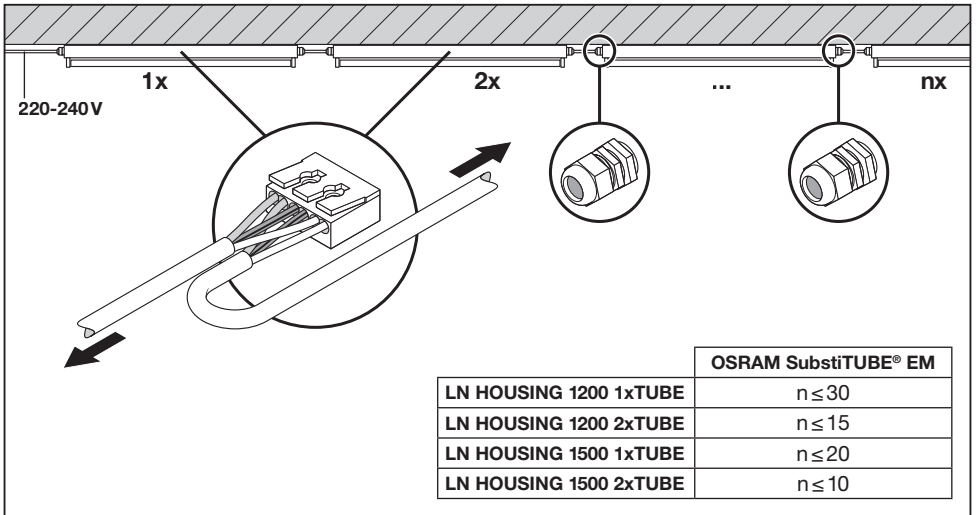
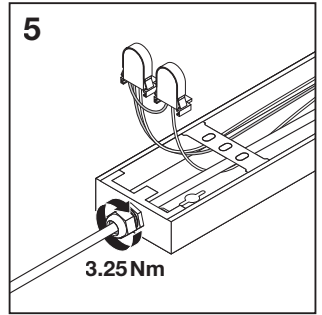
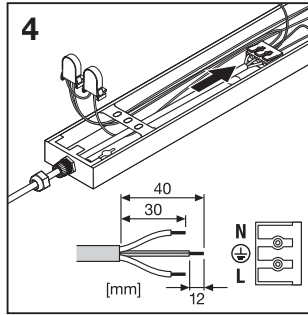
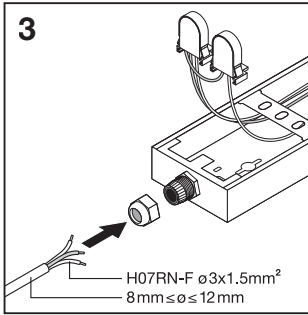
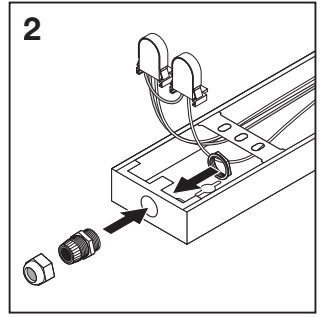
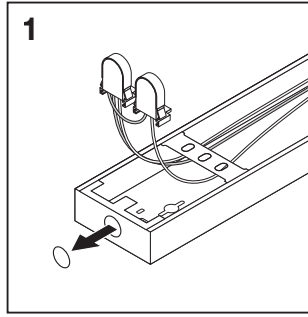
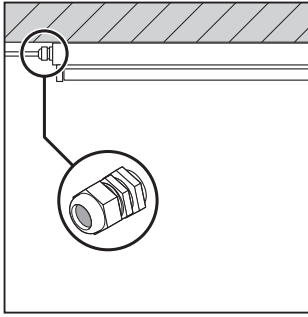
---



	EAN	l x w x h [mm]	220-240V / 50/60Hz	IP	°C	⊞
<b>LN HOUSING 1200 1xTUBE</b>	4058075144408	1234 x 50 x 66	1 x T8 LED-Tube 1.2 m (≤1 x 16W)	20	-20...+50	0.7 kg
<b>LN HOUSING 1200 2xTUBE</b>	4058075144422	1234 x 83 x 66	2 x T8 LED-Tube 1.2 m (≤2 x 16W)	20	-20...+50	0.9 kg
<b>LN HOUSING 1500 1xTUBE</b>	4058075144446	1532 x 50 x 66	1 x T8 LED-Tube 1.5 m (≤1 x 23W)	20	-20...+50	0.9 kg
<b>LN HOUSING 1500 2xTUBE</b>	4058075144460	1532 x 83 x 66	2 x T8 LED-Tube 1.5 m (≤2 x 23W)	20	-20...+50	1.2 kg







	OSRAM SubstiTUBE® EM
LN HOUSING 1200 1xTUBE	$n \leq 30$
LN HOUSING 1200 2xTUBE	$n \leq 15$
LN HOUSING 1500 1xTUBE	$n \leq 20$
LN HOUSING 1500 2xTUBE	$n \leq 10$



RoHS



C10449057  
 G11050130  
 05.07.18



LEDVANCE GmbH  
 Steinerne Furt 62  
 86167 Augsburg, Germany  
[www.ledvance.com](http://www.ledvance.com)