



# TWINSPOT IP65 LITE



## FEATURES

- Lithium batteries (LiFePO<sub>4</sub>)
- Rated weatherproof at IP65
- Compliant emergency lighting
- Emergency output of 2 x 140lm
- Average power consumption < 0.45 W



## ENVIRONMENT

Using environmentally friendly Lithium batteries



## WEATHERPROOF

Suitable for demanding environments with IP65 rating



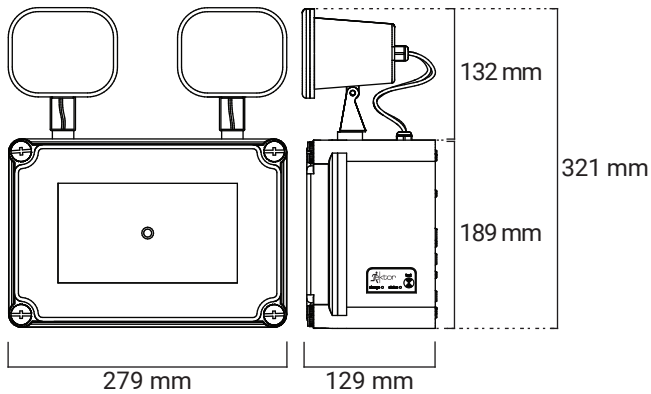
## SURFACE MOUNT

Designed for easy wall mounting



## ADJUSTABLE HEAD

Adjustable spotlighting to suit requirements



PRODUCT RANGE	
ORDER CODE	QTY
<b>EV-TWINSPOT-WP-LITE</b> Twinspot IP65 Emergency Luminaire	4

#### FEATURES

- Lithium batteries (LiFePO<sub>4</sub>)
- Compliant emergency lighting
- Emergency output of 2 x 140lm
- Average power consumption < 0.45 W

ACCESSORY RANGE	
ORDER CODE	DESCRIPTION
<b>EV-TWINSPOT-WP-LITE-INV</b>	Twinspot IP65 Emergency Luminaire Inverter
<b>ZC-BATT-1500MAH</b>	zencontrol 1500mAh 6.4V 2 Cell LiFePO <sub>4</sub> battery

## OPERATIONAL INFORMATION

GENERAL	
Voltage	~230V
Frequency	50Hz
Ambient temp.	0 - 40°C
Class	1
Wiring	Terminal block (1-16 mm □)
Mounting type	Wall
IP rating	IP65
LED wattage	2.7 W

EMERGENCY	
Lumens	2 x 140 lm
Rated duration	3 hours

COMPLIANCE	
Standards	IEC 60598-2-22 CISPR 15 EMC-2004/108/EC LVD-2006/95/EC

BATTERY		CHARGE	
Type	LiFePO <sub>4</sub>	Time	16 Hours
Supply current	600 mA	Operation	Multi-state
Voltage	6.4 V		
Code	zc-batt-1500mah		

CONSTRUCTION	
Body	PC
Diffuser	PC
Gear tray	Galvanized steel
Weight	2.05 kg net

**NOTE:** For more information on the chemical resistance of our polycarbonate, please see our website.

Datasheet is subject to change without notice, E&OE  
Last updated: 27 September 2018 \_V2.1