

# LED ceiling Light Instructions

## Product introduction

LED ceiling light adopts high lumen SMD LED, fire-rated PC diffuser with even light output. IP54 waterproof, it is designed as an ideal replacement for damp locations. It has High PF LED driver with triac dimmable function, 120° wide beam angle. Suitable for commercial residential applications like offices, supermarkets, shops, schools, hotels, restaurants, workshop, warehouse, homes etc.

## Daylight & Microwave Sensor

### Detection area:

- ◆ 140 degree wide detective beam angle with 5~7 meters distance.

### Working pattern:

- ◆ With sufficient natural light, when illuminance is more than 10lux, the light does not switch on when presence detected.
- ◆ With insufficient natural light:
  - When illuminance is less than 10lux, the light switches on automatically when presence detected.
  - With presence detected, light will never switch off, even the nature light is sufficient.
  - After presence left, any movement detected within time-delay (30 seconds), the light will continuously work for another hold time(10 minutes), then switch off automatically until next movement detected.
  - Hold time: 10 minutes

## Microwave sensor

### Detection area:

- ◆ 140 degree wide detective beam angle with 5~7 meters distance.

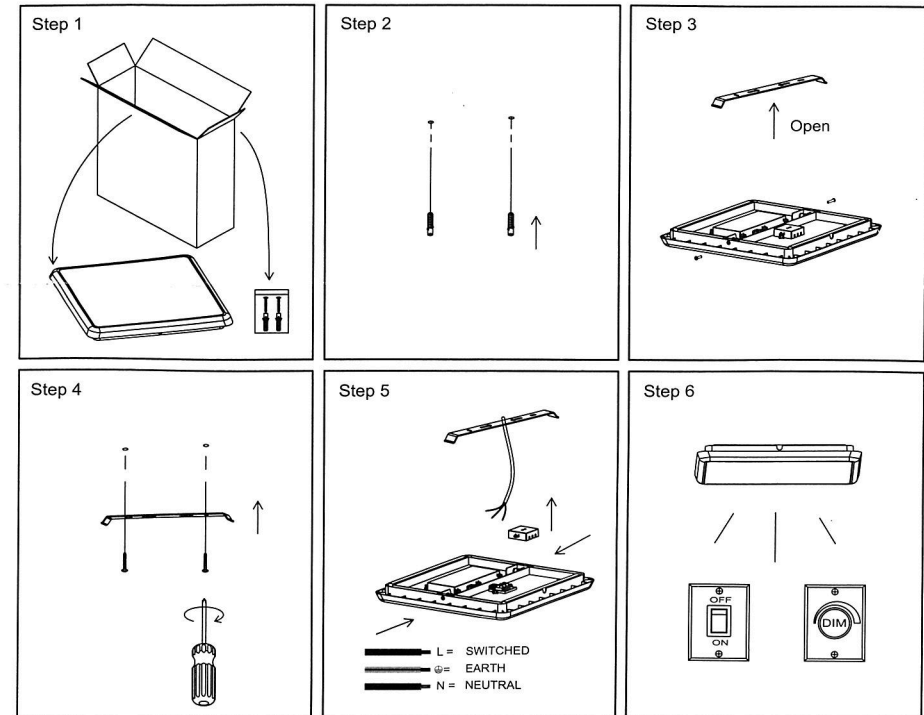
### Working pattern:

- ◆ In any given lighting condition, the light switches on automatically when presence detected.
- ◆ After presence left, light will continuously work within time-delay (30 seconds), then switch off automatically.
- ◆ After presence left, any movement detected within time-delay (30 seconds), the light will continuously work for another hold time (10 minutes), then switch off until next movement detected.
- ◆ Hold time: 10 minutes

## Technical parameters

Model	Voltage	Power	CCT	Lume	PF	Lifespan	Dimension
REXSEL12WWWSQ	AC200-240V 50Hz	12W	3000K	980	0.9	40000h	250*250*50mm
REXSEL12WCWSQ	AC200-240V 50Hz	12W	4000K	1000	0.9	40000h	250*250*50mm

## Installation steps



Step 1: Take out ceiling light and accessory pack from box.

Step 2: Knock-in the plastic anchor into ceiling.

Step 3: Remove screw, take out bracket.

Step 4: Fix bracket with screw into the ceiling.

Step 5: Open junction box, wire "L" "N" to terminal block and mount ceiling light into the right place.

Step 6: Switch on.

## Warning

1. Switch off before installation.
2. Switch on only after complete installation and examination of the circuit.
3. Professional electrician for installation and maintenance only.

3 years warranty from the purchasing date on the premise of using strictly as instruction