



# PEARL IP65



## FEATURES

- **IP65 rating**
- Compliant lighting
- Long life electronics
- Low energy consumption
- Selectable colour temperature



### TRI-COLOR

Selectable colour temperature



### WEATHERPROOF

For those tougher, more demanding environments



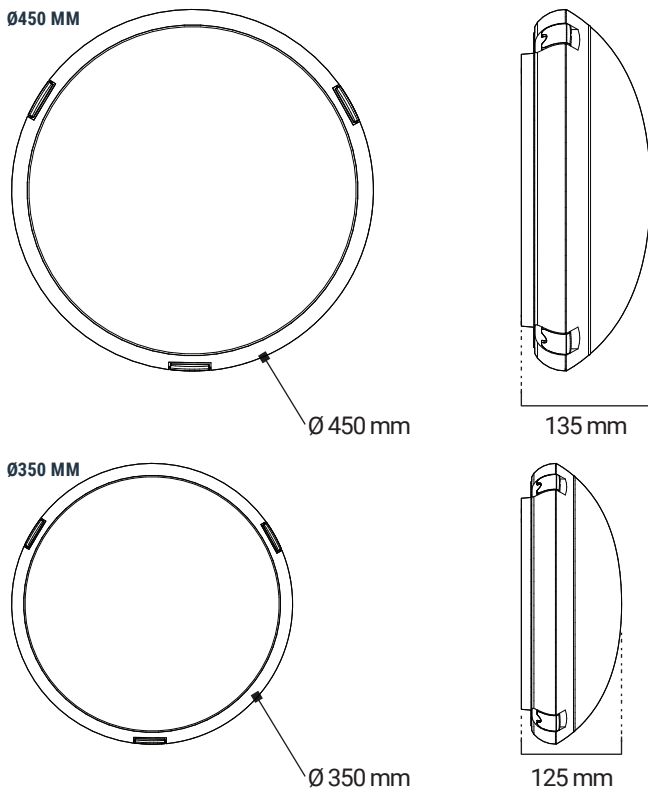
### CORRIDOR MODE

Microwave motion sensing with dim to comfort level



### SENSOR

Microwave Sensor model available



## OPERATIONAL INFORMATION

### GENERAL

Voltage	220~240V
Frequency	50Hz
Ambient temp.	0 - 40°C
Class	1
Wiring	Hardwired
Mounting type	Surface
IP rating	IP65

### LED WATTAGE

Ø350 mm	15 W
Ø450 mm	25 W

### SENSOR

Max. sensor output	400 W max.
Beam angle	120°
Detection range	4 m (mounted at 3 m height)

### LIGHT COLOUR COLOUR TEMPERATURE LUMENS

Warm White	3000K	1095 lm
Daylight	4000K	1682 lm
Cool White	5700K	1682 lm

### COMPLIANCE

Standards	IEC 60598-2-22 CISPR 15 EMC-2004/108/EC LVD-2006/95/EC
-----------	---

### WEIGHT

Ø350 mm	2.75 kg net
Ø450 mm	2.8 kg net

### CONSTRUCTION

Body	ABS
Diffuser	PC
Gear tray	Powder coated steel

**NOTE:** For more information on the chemical resistance of our polycarbonate, please see our website.

## PRODUCT RANGE

ORDER CODE	PRODUCT NUMBER	QTY
<b>EV-PEARL-WP</b> Pearl Circular IP65 Ø350 mm	9336462018101	4
<b>EV-PEARL-WP-S</b> Pearl Circular IP65 Ø350 mm with Sensor	9336462018149	4
<b>EV-PEARL-PRO-WP</b> Pro Pearl Circular IP65 Ø450 mm	9336462018118	4
<b>EV-PEARL-PRO-WP-S</b> Pro Pearl Circular IP65 Ø450 mm with Sensor	9336462018156	4

### FEATURES

- IP65 rating
- Compliant lighting
- Long life electronics
- Low energy consumption
- Selectable colour temperature
- Microwave Sensor model available

\*Excludes battery

## ACCESSORY RANGE

ORDER CODE	DESCRIPTION
<b>ZC-MW-BASIC</b>	zencontrol - Microwave sensor 16 m, internal mains rated kit for mounting in enclosure, compact form factor

Datasheet is subject to change without notice, E&OE  
Last updated: 31 October 2018 \_V2.1