

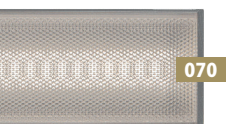
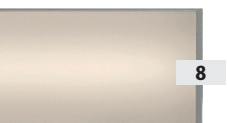
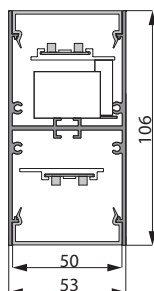
KVADRA 106 S

system of pendant luminaires

Description

Universal modular system of luminaires designed for creating lines or structures. System KVADRA 106 S is suitable for complex projects of conference and entrance halls, reconstructions of old industrial buildings, offices, representational areas, corridors and shops. KVADRA 106 S system offers maximal user freedom during the designing of a particular lighting solution. Luminaires are produced as middle and end modules which can be joined together with connectors. Luminaire lengths are optimised to ensure homogenous illumination without dark spots in luminaire connections and at the ends of luminaires. Luminaires are available in modulation length of 57mm. More information about lengths, technical parameters and possible combinations can be found at www.inge.cz.

with low cover
070, 072 and 090



Luminaire colour ("aa" in order code)

- 02** black RAL 9005 matt – on request
- 03** white RAL 9003 matt – on request
- 04** other RAL (must be specified) – on request
- 08** silver anodised – standard
- 09** silver RAL 9006 MS (microstructure) – on request

Installation



Lower optical part ("bbb" in order code)

- 070** clear micro prismatic cover
- 072** satine micro prismatic cover
- 090** smooth opal polycarbonate cover

Upper optical part ("y" in order code)

- 8** low opal cover

LED light source ("tt" in order code)

- 01** 930 - 3000K CRI >90 SDCM3
- 02** 940 - 4000K CRI >90 SDCM3
- 03** 830 - 3000K CRI >80 SDCM3
- 04** **840 - 4000K CRI >80 SDCM3**

Electrical equipment ("xx" in order code)

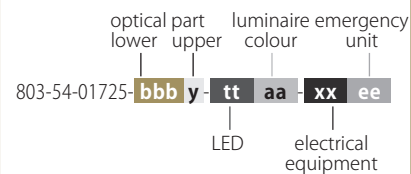
- 08** dimmable DALI LED driver

Emergency unit (EM) ("ee" in order code)

- 00** without EM

Luminaires can be supplied with emergency unit upon request. More information at www.inge.cz.

Order code



803-54-01725-0908-0408-0800
KVADRA 106 S HI LED L1725mm, 2 separate light circuits, end module, lower opal cover 090, upper low opal cover, 4000K, CRI>80, anodised, dimmable DALI LED drivers, without EM

803-56-01828-0708-0303-0800
KVADRA 106 S HI LED L1828mm, 2 separate light circuits, middle module, lower micro prismatic cover 070, upper low opal cover, 3000K, CRI>80, white RAL 9003 matt, dimmable DALI LED drivers, without EM

Example

END LUMINAIRES KVADRA 106 S HI LED

KVADRA 106 S HI LED end luminaires, with high intensity LED light source, two separate light circuits, dimmable DALI (xx=08) LED driver, 230V/50Hz, IP20, with two five-pole terminal blocks and through wiring 5x1,5mm², with upper low opal cover (y=8)

Type	Order code			Luminaire		
with cover	with clear MP cover 070	with satine MP cover 072	with OP cover 090	Φ (lm)	P (W)	L (mm)
KVADRA 106 S HI LED L1497 DALI	803-54-01497-0708	803-54-01497-0728	803-54-01497-0908	8954	98	1497
KVADRA 106 S HI LED L1611 DALI	803-54-01611-0708	803-54-01611-0728	803-54-01611-0908	9644	100	1611
KVADRA 106 S HI LED L1725 DALI	803-54-01725-0708	803-54-01725-0728	803-54-01725-0908	10332	110	1725
KVADRA 106 S HI LED L1839 DALI	803-54-01839-0708	803-54-01839-0728	803-54-01839-0908	11020	114	1839
KVADRA 106 S HI LED L1953 DALI	803-54-01953-0708	803-54-01953-0728	803-54-01953-0908	11710	122	1953
KVADRA 106 S HI LED L2067 DALI	803-54-02067-0708	803-54-02067-0728	803-54-02067-0908	12398	128	2067
KVADRA 106 S HI LED L2181 DALI	803-54-02181-0708	803-54-02181-0728	803-54-02181-0908	13088	136	2181
KVADRA 106 S HI LED L2295 DALI	803-54-02295-0708	803-54-02295-0728	803-54-02295-0908	13776	142	2295
KVADRA 106 S HI LED L2409 DALI	803-54-02409-0708	803-54-02409-0728	803-54-02409-0908	14464	148	2409
KVADRA 106 S HI LED L2523 DALI	803-54-02523-0708	803-54-02523-0728	803-54-02523-0908	15154	158	2523
KVADRA 106 S HI LED L2637 DALI	803-54-02637-0708	803-54-02637-0728	803-54-02637-0908	15842	162	2637
KVADRA 106 S HI LED L2751 DALI	803-54-02751-0708	803-54-02751-0728	803-54-02751-0908	16532	170	2751
KVADRA 106 S HI LED L2865 DALI	803-54-02865-0708	803-54-02865-0728	803-54-02865-0908	17220	174	2865

MIDDLE LUMINAIRES KVADRA 106 S HI LED

KVADRA 106 S HI LED middle luminaires, with high intensity LED light source, two separate light circuits, dimmable DALI (xx=08) LED driver, 230V/50Hz, IP20, with two five-pole terminal blocks and through wiring 5x1,5mm², with upper low opal cover (y=8)

Type	Order code			Luminaire		
with cover	with clear MP cover 070	with satine MP cover 072	with OP cover 090	Φ (lm)	P (W)	L (mm)
KVADRA 106 S HI LED L1828 DALI	803-56-01828-0708	803-56-01828-0728	803-56-01828-0908	11020	114	1828
KVADRA 106 S HI LED L1942 DALI	803-56-01942-0708	803-56-01942-0728	803-56-01942-0908	11710	122	1942
KVADRA 106 S HI LED L2056 DALI	803-56-02056-0708	803-56-02056-0728	803-56-02056-0908	12398	128	2056
KVADRA 106 S HI LED L2170 DALI	803-56-02170-0708	803-56-02170-0728	803-56-02170-0908	13088	136	2170
KVADRA 106 S HI LED L2284 DALI	803-56-02284-0708	803-56-02284-0728	803-56-02284-0908	13776	142	2284
KVADRA 106 S HI LED L2398 DALI	803-56-02398-0708	803-56-02398-0728	803-56-02398-0908	14464	148	2398
KVADRA 106 S HI LED L2512 DALI	803-56-02512-0708	803-56-02512-0728	803-56-02512-0908	15154	158	2512
KVADRA 106 S HI LED L2626 DALI	803-56-02626-0708	803-56-02626-0728	803-56-02626-0908	15842	162	2626
KVADRA 106 S HI LED L2740 DALI	803-56-02740-0708	803-56-02740-0728	803-56-02740-0908	16532	170	2740
KVADRA 106 S HI LED L2854 DALI	803-56-02854-0708	803-56-02854-0728	803-56-02854-0908	17220	174	2854

Luminous flux is stated for luminaires with light source 840, lower opal cover 090 and upper low opal cover. Luminous flux of luminaires with cover 070 is higher, luminous flux of luminaires with cover 072 is lower.

Type of LEDs („tt“), luminaire colour („aa“), LED driver type („xx“) and type of emergency unit („ee“) must be specified when placing order.

To connect end luminaires and middle luminaires, it is necessary to order direct connectors K2 (see KVADRA 106 S accessories).

KVADRA 106 S

accessories

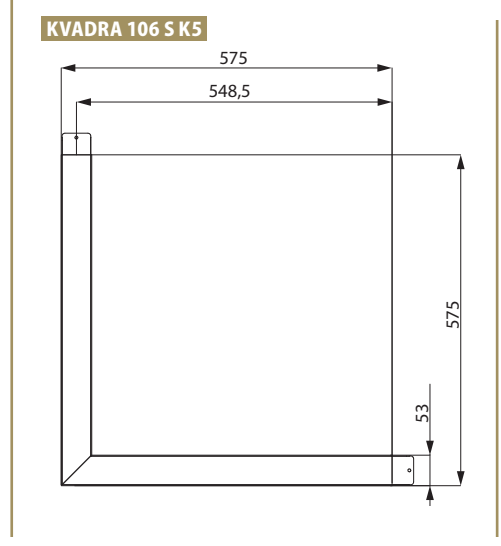
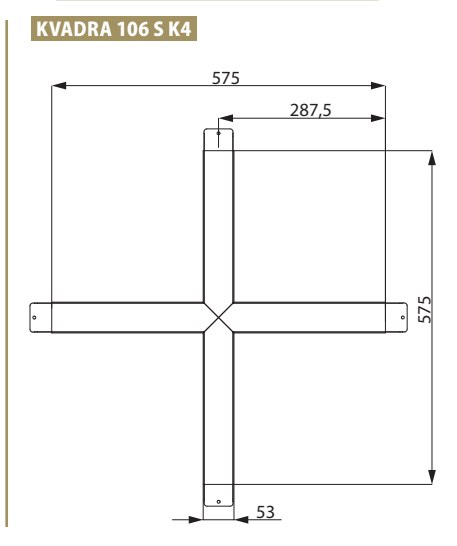
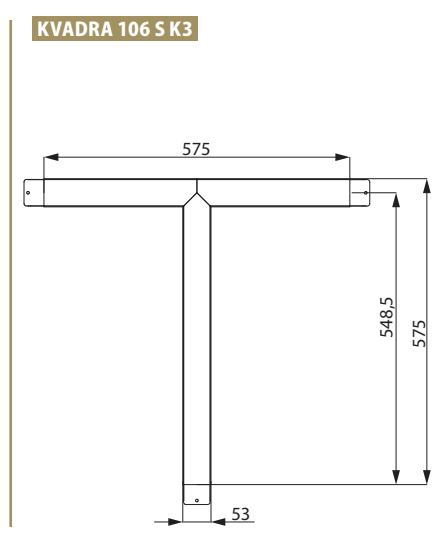
KVADRA 106 S luminaires can be connected using K2 connectors. End luminaires and middle luminaires are supplied without direct connectors KVADRA 106 S K2. Fully illuminated connectors T, X and L are supplied with direct connectors K2.

Fully illuminated T, X and L connectors are manufactured in version for direct illumination (nn = 50) or in version for direct-indirect illumination with one common light circuit (nn = 52). Connectors cannot be supplied with two independent light circuits.

Type of connectors KVADRA 106 S ("nn" in order code)

- 50** for direct illumination
- 52** for direct-indirect illumination with 1 common light circuit

Pic.	Type	Description	Order code		
a	KVADRA 106 K1	silver anodised end cap with screws	803-901-800-000		
b	KVADRA 106 S K2	direct connector	803-902-800-030		
with lower cover			with clear cover 070	with satine MP cover 072	with OP cover 090
c	KVADRA 106 S K3 HI LED	fully illuminated T connector 575x575mm	803-nn-00003-0700	803-nn-00003-0720	803-nn-00003-0900
d	KVADRA 106 S K4 HI LED	fully illuminated X connector 575x575mm	803-nn-00004-0700	803-nn-00004-0720	803-nn-00004-0900
e	KVADRA 106 S K5 HI LED	fully illuminated L connector 575x575mm	803-nn-00005-0700	803-nn-00005-0720	803-nn-00005-0900



PENDANT LUMINAIRES

Accessories

To suspend the luminaire, it is necessary to order suspensions and power supply cable. Ceiling rose colour must be specified for suspensions type 521.

Ceiling rose colour ("a" in order code)

2	black RAL 9005 matt – on request	4	other RAL (must be specified) – on request
3	white RAL 9003 matt – standard	9	silver RAL 9006 MS (microstructure) – on request

Pic.	Type	Order code			
		length 1,2m	length 2m	length 3m	length 10m
1	Wire suspension 900	940-900-500-000	940-900-520-000	940-900-530-000	940-900-510-000
2	Wire suspension for supply 521	940-521-a01-000	940-521-a21-000	940-521-a31-000	940-521-a11-000
3	Transparent power supply cable 5x1mm ² (for dimmable luminaires)	941-602-000-000	941-602-020-000	941-602-030-000	941-602-010-000
4	Transparent power supply cable 7x1mm ² (for dimmable luminaires with EM)	941-603-000-000	941-603-020-000	941-603-030-000	941-603-010-000
5	Connecting wires 5x1,5mm ² , length 400mm	940-700-400-045			
6	Connecting wires 7x1,5mm ² , length 400mm	940-700-400-047			

