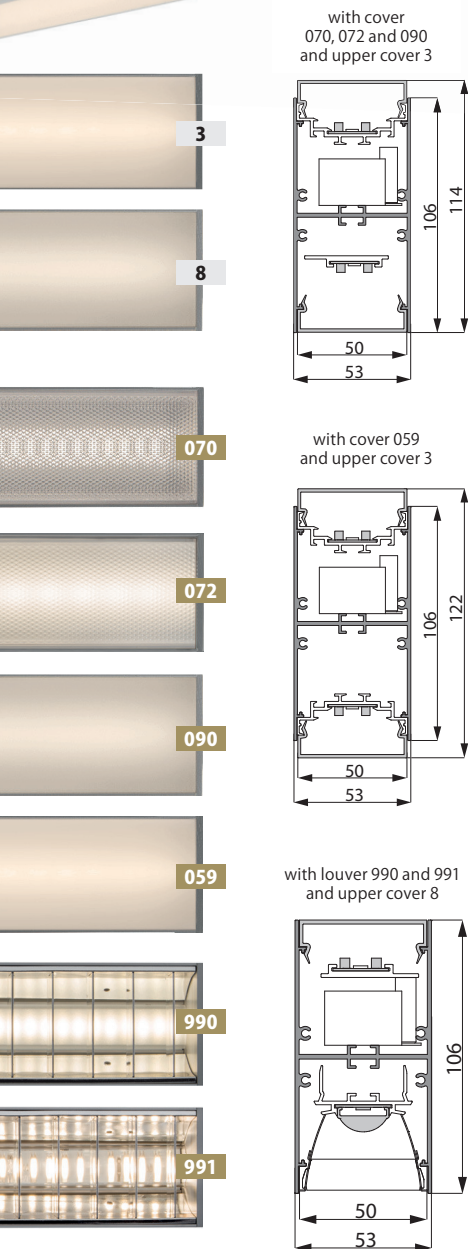


# KVADRA 106



## Description

Single, 53mm wide and 106mm high, pendant luminaires suitable for direct-indirect illumination of offices, representational areas, corridors, stairs, receptions and shops. Luminaires are produced from an aluminium profile. In silver anodised version the end caps are screwed into the profile with four stainless steel screws, in painted version the end caps are smooth, without visible screws. Upper opal cover ensures maximum efficiency and uniformity of light for indirect illumination. Luminaires are supplied in versions with one or two independent circuits for direct and indirect illumination.



## Luminaire colour ("aa" in order code)

- 02** black RAL 9005 matt – on request
- 03** white RAL 9003 matt – on request
- 04** other RAL (must be specified) – on request
- 08** silver anodised – standard
- 09** silver RAL 9006 MS (microstructure) – on request

## Installation



## Lower optical part ("bbb" in order code)

- 070** clear micro prismatic cover
- 072** satine micro prismatic cover
- 090** smooth opal polycarbonate cover
- 059** dropped smooth opal polycarbonate cover
- 990** high efficiency double parabolic louver made of MIRO + satine cover over LEDs
- 991** high efficiency double parabolic louver made of MIRO + clear linear collimator 60° over LEDs

## Upper optical part ("y" in order code)

- 3** raised opal cover
- 8** low opal cover

## LED light source ("tt" in order code)

- 01** 930 - 3000K CRI >90 SDCM3
- 02** 940 - 4000K CRI >90 SDCM3
- 03** 830 - 3000K CRI >80 SDCM3
- 04** **840 - 4000K CRI >80 SDCM3**
- 08** TW – tunable white LED module 3000K-6000K

## Electrical equipment ("xx" in order code)

- 02** non-dimmable LED driver
- 06** dimmable 1-10V LED driver
- 08** dimmable DALI LED driver

## Module type ("nn" in order code)

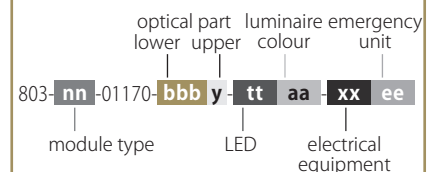
- 72** HI LED light source and 1 common light circuit
- 73** LI LED light source and 1 common light circuit
- 74** HI LED light source and 2 separate light circuits
- 75** LI LED light source and 2 separate light circuits

## Emergency unit (EM) ("ee" in order code)

- 00** without EM

Luminaires can be supplied with emergency unit upon request. More information at [www.inge.cz](http://www.inge.cz).

## Order code



**803-74-01170-0708-0403-0800**  
KVADRA 106 HI LED L1170mm, 2 separate light circuits, lower clear micro prismatic cover 070, upper lower opal cover, 4000K, CRI>80, white RAL 9003 matt, dimmable DALI LED drivers, without EM

**803-73-01170-0903-0103-0200**  
KVADRA 106 LI LED L1170mm, 1 common light circuit, lower opal cover 090, upper raised opal cover, 3000K, CRI>90, white RAL 9003 matt, non-dimmable LED driver, without EM

## Example

## KVADRA 106 HI LED

KVADRA 106 HI LED single pendant luminaires, with high intensity LED light source, for direct-indirect illumination, one common circuit (nn=72) or two separate light circuits (nn=74), non-dimmable (xx=02) or dimmable 1-10V (xx=06) or DALI (xx=08) LED driver, 230V/50Hz, IP20, with one five-pole terminal block, with upper low opal cover (y=8) or raised opal cover (y=3)

Type	Order code				Luminaire		
	with clear MP cover 070	with satine MP cover 072	with OP cover 090	with OP cover 059	Φ (lm)	P (W)	L (mm)
KVADRA 106 HI LED L1170	803-nn-01170-070y	803-nn-01170-072y	803-nn-01170-090y	803-nn-01170-059y	6888	74	1170
KVADRA 106 HI LED L1512	803-nn-01512-070y	803-nn-01512-072y	803-nn-01512-090y	803-nn-01512-059y	8954	98	1512
KVADRA 106 HI LED L1740	803-nn-01740-070y	803-nn-01740-072y	803-nn-01740-090y	803-nn-01740-059y	10332	110	1740
KVADRA 106 HI LED L2310	803-nn-02310-070y	803-nn-02310-072y	803-nn-02310-090y	803-nn-02310-059y	13776	142	2310
KVADRA 106 HI LED L2880	803-nn-02880-070y	803-nn-02880-072y	803-nn-02880-090y	803-nn-02880-059y	17220	174	2880

Type	Order code		Luminaire			
	with louver	with louver 990 and satine cover	with louver 991 and clear optics	Φ (lm)	P (W)	L (mm)
KVADRA 106 HI LED L1170		803-nn-01170-990y	803-nn-01170-991y	7241	74	1170
KVADRA 106 HI LED L1512		803-nn-01512-990y	803-nn-01512-991y	9413	98	1512
KVADRA 106 HI LED L1740		803-nn-01740-990y	803-nn-01740-991y	10861	110	1740
KVADRA 106 HI LED L2310		803-nn-02310-990y	803-nn-02310-991y	14482	142	2310
KVADRA 106 HI LED L2880		803-nn-02880-990y	803-nn-02880-991y	19102	174	2880

## KVADRA 106 LI LED

KVADRA 106 LI LED single pendant luminaires, with low intensity LED light source, for direct-indirect illumination, one common circuit (nn=73) or two separate light circuits (nn=75), non-dimmable (xx=02) or dimmable 1-10V (xx=06) or DALI (xx=08) LED driver, 230V/50Hz, IP20, with one five-pole terminal block, with upper low opal cover (y=8) or raised opal cover (y=3)

Type	Order code				Luminaire		
	with clear MP cover 070	with satine MP cover 072	with OP cover 090	with OP cover 059	Φ (lm)	P (W)	L (mm)
KVADRA 106 LI LED L1170	803-nn-01170-070y	803-nn-01170-072y	803-nn-01170-090y	803-nn-01170-059y	3444	42	1170
KVADRA 106 LI LED L1512	803-nn-01512-070y	803-nn-01512-072y	803-nn-01512-090y	803-nn-01512-059y	4478	54	1512
KVADRA 106 LI LED L1740	803-nn-01740-070y	803-nn-01740-072y	803-nn-01740-090y	803-nn-01740-059y	5166	60	1740
KVADRA 106 LI LED L2310	803-nn-02310-070y	803-nn-02310-072y	803-nn-02310-090y	803-nn-02310-059y	6888	72	2310
KVADRA 106 LI LED L2880	803-nn-02880-070y	803-nn-02880-072y	803-nn-02880-090y	803-nn-02880-059y	8610	92	2880

Type	Order code		Luminaire			
	with louver	with louver 990 and satine cover	with louver 991 and clear optics	Φ (lm)	P (W)	L (mm)
KVADRA 106 LI LED L1170		803-nn-01170-990y	803-nn-01170-991y	3620	42	1170
KVADRA 106 LI LED L1512		803-nn-01512-990y	803-nn-01512-991y	4707	54	1512
KVADRA 106 LI LED L1740		803-nn-01740-990y	803-nn-01740-991y	5431	60	1740
KVADRA 106 LI LED L2310		803-nn-02310-990y	803-nn-02310-991y	7241	72	2310
KVADRA 106 LI LED L2880		803-nn-02880-990y	803-nn-02880-991y	9051	92	2880

Luminous flux is stated for luminaires with light source 840, lower opal cover 090 or louver 990 and upper low opal cover. Luminous fluxes of luminaires with louver 991 or cover 070 and 059 are higher. Luminous flux of luminaires with cover 072 is lower.

Type of module („nn“), upper optical part („y“), type of LEDs („tt“), luminaire colour („aa“) and LED driver type („xx“) must be specified when placing order.

### Accessories

To suspend the luminaire, it is necessary to order suspensions and power supply cable.

Ceiling rose colour must be specified for suspensions type 521.

### Ceiling rose colour ("a" in order code)

<b>2</b>	black RAL 9005 matt – on request	<b>4</b>	other RAL (must be specified) – on request
<b>3</b>	white RAL 9003 matt – standard	<b>9</b>	silver RAL 9006 MS (microstructure) – on request

Pic.	Type	Order code			
		length 1,2m	length 2m	length 3m	length 10m
<b>1</b>	Wire suspension 900	940-900-500-000	940-900-520-000	940-900-530-000	940-900-510-000
<b>2</b>	Wire suspension for supply 521	940-521-a01-000	940-521-a21-000	940-521-a31-000	940-521-a11-000
<b>3</b>	Transparent power supply cable 3x1mm <sup>2</sup> (for non-dimmable luminaires)	941-601-000-000	941-601-020-000	941-601-030-000	941-601-010-000
<b>4</b>	Transparent power supply cable 5x1mm <sup>2</sup> (for dimmable luminaires)	941-602-000-000	941-602-020-000	941-602-030-000	941-602-010-000
<b>5</b>	Transparent power supply cable 7x1mm <sup>2</sup> (for dimmable luminaires with EM)	941-603-000-000	941-603-020-000	941-603-030-000	941-603-010-000

