

Ceiling/rod installation

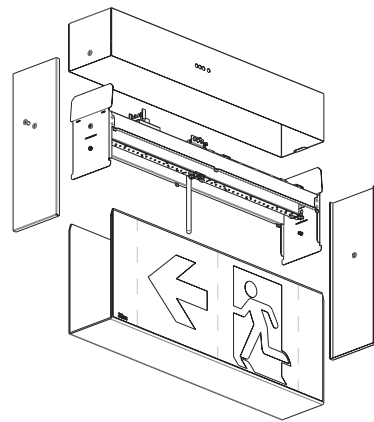
1. Mount box to ceiling/rod and terminate supply.
2. Insert geartray into retaining catch at one end. Pivot upwards to engage auto-connect. Fit screw.
3. Ensure antenna is vertical for Axiom versions.
4. Fit one end panel, then diffuser and 2nd panel.

Removal follows the reverse procedure. Press test switch for local test when installation is complete.

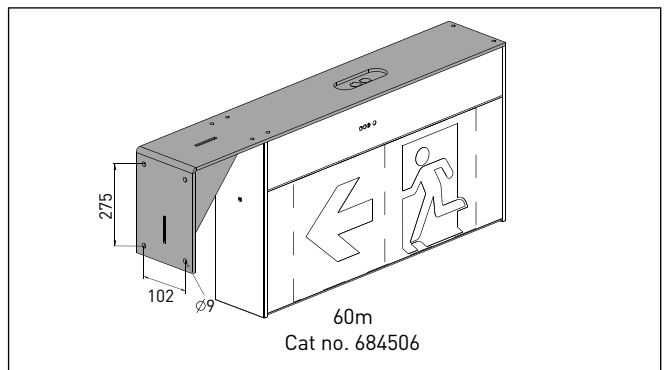
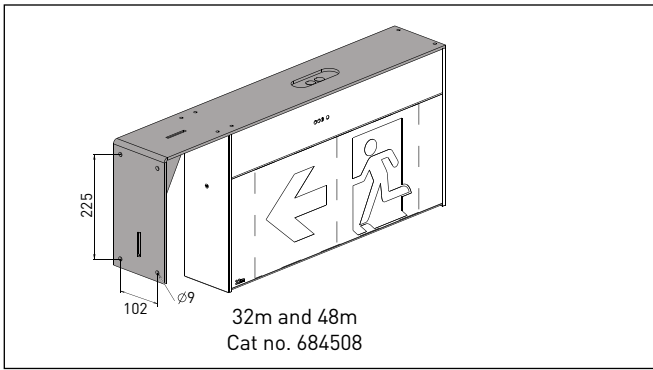
Supply Voltage: 230-240V a.c. 50Hz

Power Input: 7.2W (high rate), 5.6W (low rate charge)

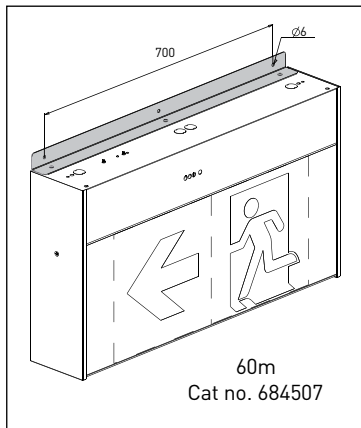
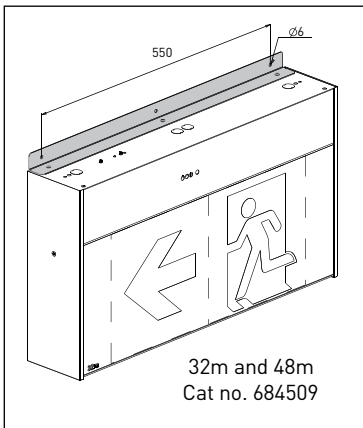
Considerations: This product should not be cleaned with a hose. This product must be securely attached to a suitable structural member during installation.



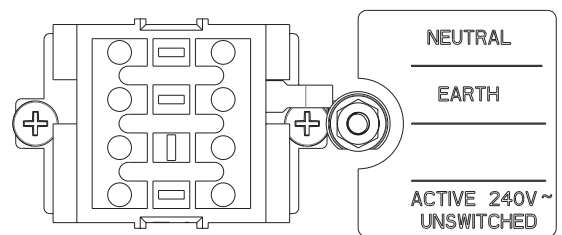
Wall bracket accessory



Wall flush mount accessory



Mains supply - connection



- NOTE: 1. This sign is configured for maintained operation only.
 2. For DALI models, connect the two DALI wires to the DALI terminals.