

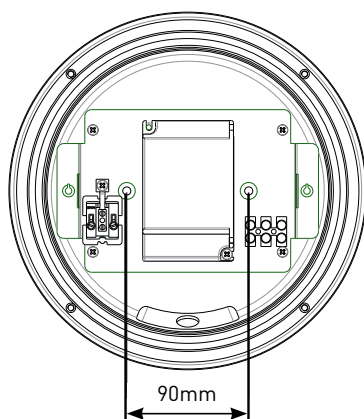
Specifications:

Supply voltage	230-240V a.c.
Power Factor	> 0.9
Colour Temperature	4000K
IP Rating	IP65
IK Rating	10

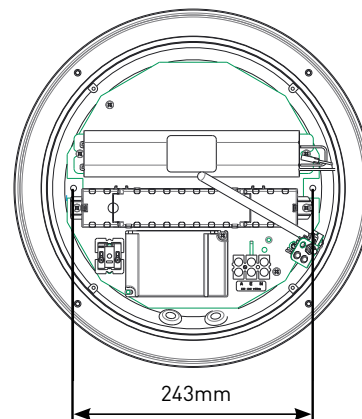
Range Combination Table

Cat no.	Diameter	Depth	Cover	Mains/Emergency	Power	Initial Lumens	Net Weight
664160	360mm	143mm	Plain	Mains	18 W	1800	3.8kg
664161	360mm	143mm	Guard	Mains	18 W	1600	3.9kg
664162	360mm	143mm	Eyelid	Mains	18 W	900	4.0kg
664164	360mm	143mm	Plain	Emergency	22 W	1800	4.8kg
664164/D	360mm	143mm	Plain	DALI Emergency	22 W	1800	4.8kg
664165	360mm	143mm	Guard	Emergency	22 W	1600	4.9kg
664165/D	360mm	143mm	Guard	DALI Emergency	22 W	1600	4.9kg
664168	360mm	143mm	Plain	Emergency Axiom	22 W	1800	4.8kg
664169	360mm	143mm	Guard	Emergency Axiom	22 W	1600	4.9kg
664172	265mm	100mm	Plain	Mains	18 W	1800	1.8kg
664173	265mm	100mm	Guard	Mains	18 W	1500	1.9kg
664174	265mm	100mm	Eyelid	Mains	18 W	900	2.0kg

Mounting Centres

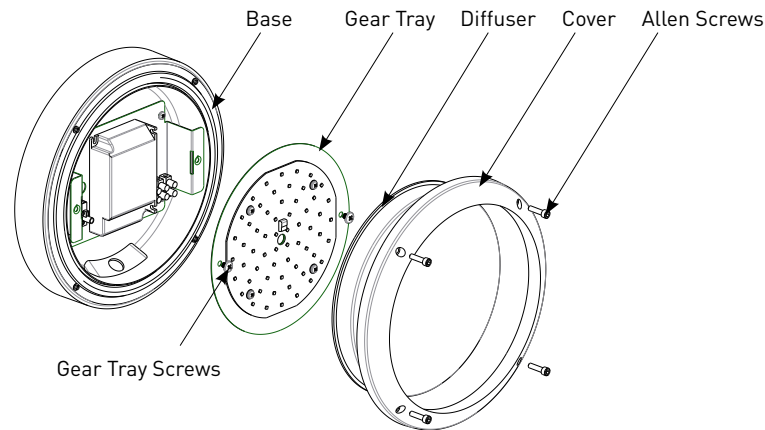


Bulkhead 265 LED



Bulkhead 360 LED

Parts



Installation:

- Disconnect mains supply before installing, servicing or maintaining the luminaire
- Remove the cover and diffuser by unscrewing the 4 x Allen screws with a No. 4 size Allen key
- The gear tray should be detached to assist with installation by unscrewing the gear tray screws (2 x screws for Bulkhead 265 or 4 x screws for Bulkhead 360)
- Install the base to the wall or ceiling in the indicated mounting centres use the mounting screw set supplied to ensure IP65 is maintained
- Fit the power cable through the supplied IP65 gland
- Make the electrical connection at the terminal block:
 - o N – Neutral
 - o A – Active
 - o E – Earth
- For emergency models, an additional Switched Active terminal is provided to allow the luminaire to be switched on and off in the mains mode.
- For DALI emergency models, connect the two DALI wires to the DALI terminals.
- Secure the gear tray to the base
- Place the diffuser onto the base and secure to the base with cover and Allen screws.
- Tighten Allen screws to 0.5nm

Disclaimers

1. This product must be installed and used as per these instructions.
2. This product must be installed by a licenced electrician.
3. HPM Legrand reserves the right to modify the specifications of this product at any time.
4. This product should only be cleaned with a damp cloth. Cleaning agents and solvents should not be used.
5. The IP rating of this product is only valid when all applicable seals, glands and their appropriate cables are installed correctly.
6. This product has no user serviceable part and no attempt should be made to repair this product. For repair please contact HPM Legrand.
7. Extended exposure to UV rays (such as exposure to direct sunlight) may cause discolouration of this product.
8. Severe electromagnetic interference from other products may cause malfunction of this product.
9. This product is not suitable for marine environments such as areas subject to salt spray and/or mist.
10. This product is not suitable for installation in hazardous and/or corrosive areas.
11. The material in this product may vary in colour from batch to batch. Colour matching from one batch to another cannot be guaranteed.
12. This product should not be cleaned with a hose.
13. This product has been designed to operate in ambient temperatures 0°C to 40°C

Warranty

Legrand Australia Pty Ltd guarantees this lighting unit for a period of 12 months from date of despatch, solely against failure arising from faulty materials or workmanship, and provided that the unit has been stored, shipped, installed, used and maintained in accordance with the manufacturers instructions and relevant standards. Misuse, negligence or modification of the unit voids all warranties. Consult Legrand Australia Pty Ltd Conditions of Sale for details on warranty liability. If this lighting unit is faulty, return the unit freight pre-paid to your point of purchase, or contact Legrand Australia Pty Ltd on 1300 369 777.

Customer Service

For all Customer Service and Technical Support enquires please call Monday to Friday during business hours.

HPM Legrand Australia
1300 369 777
www.hpmlgrand.com.au

HPM Legrand New Zealand
0800 476 009
www.hpmlgrand.co.nz

ABN: 31 000 102 661