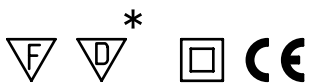
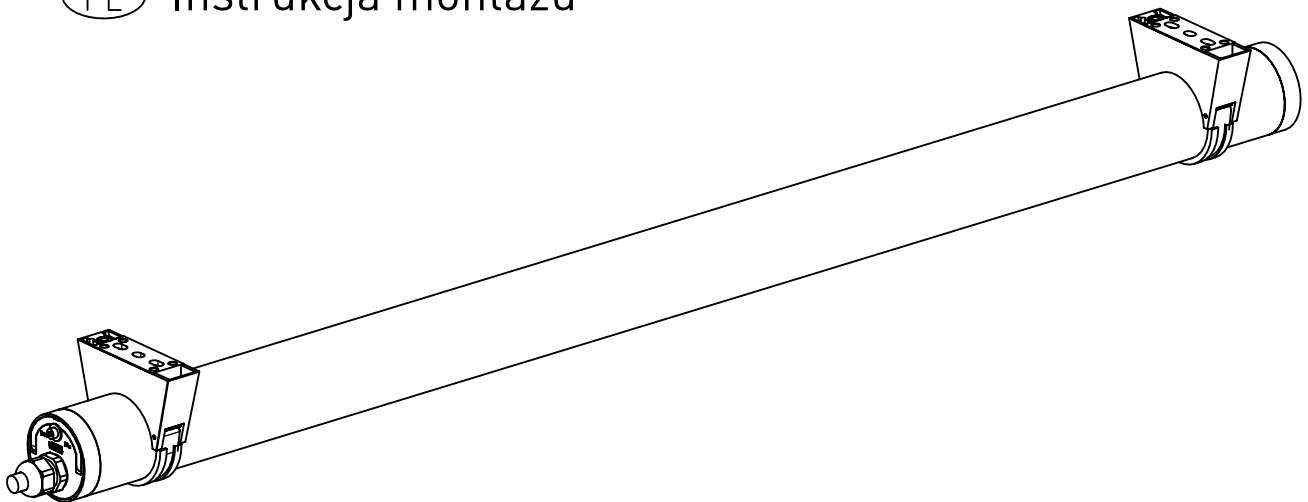
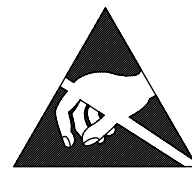


Montageanleitung 71545

- (GB) Mounting Instructions
- (F) Notice de Montage
- (E) Instrucciones de Montaje
- (I) Istruzione per l'Installazione
- (P) Instrucoes de montagem
- (NL) Montage Voorschrift
- (DK) Monteringsvejledning
- (S) Montageanvisning
- (FIN) Asennusohje
- (N) Montasjeveiledning
- (PL) Instrukcja montażu

531 8..



LED

IP 66/68, 20m / IP69k schwadensicher Zone 2/22

230 V 50 Hz

Ta -30°C bis +40°C

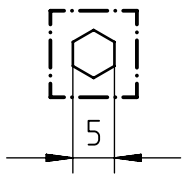
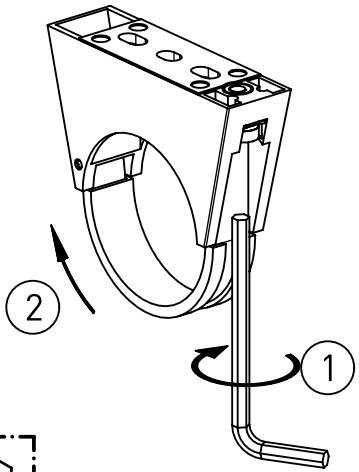
IK 10

Ex II 3G Ex nR IIC T6 GC

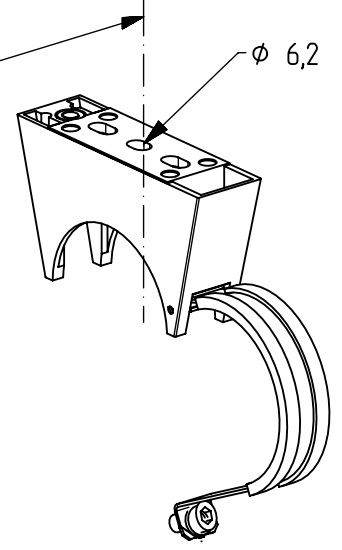
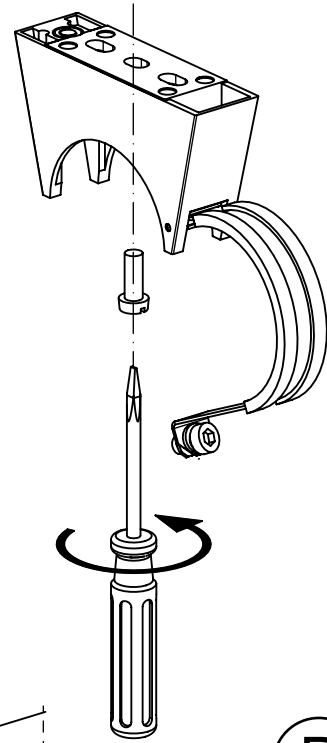
Ex II 3D Ex tc IIC T80°C DC

NORKA

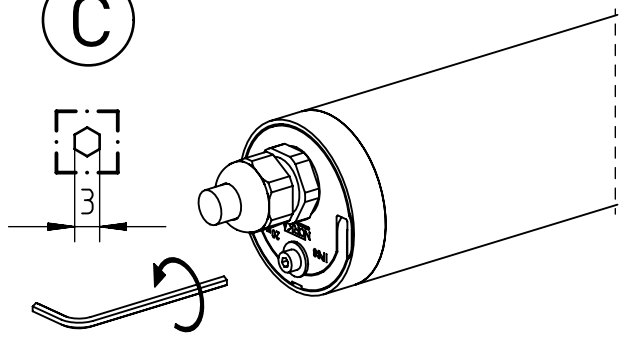
A



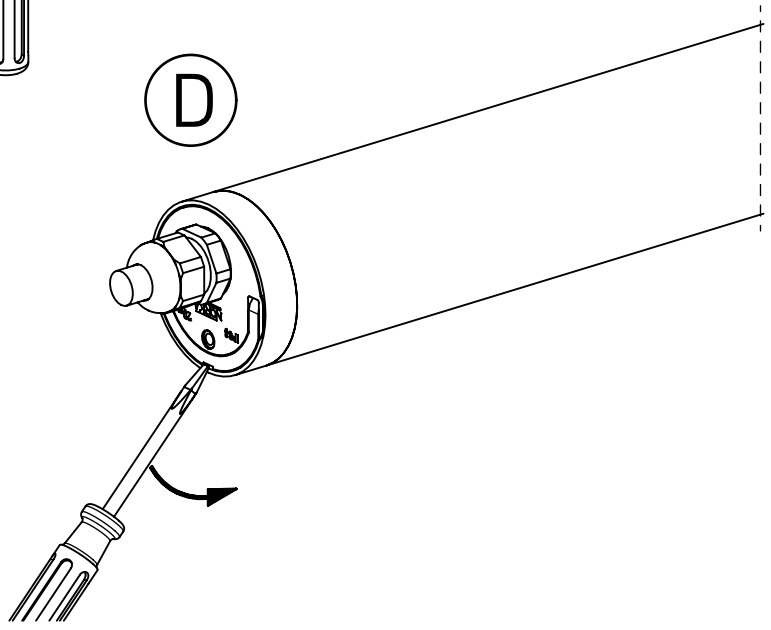
B



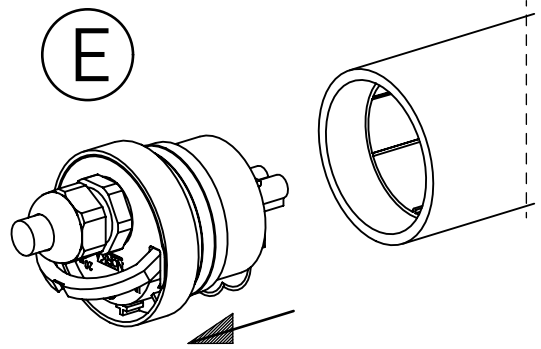
C



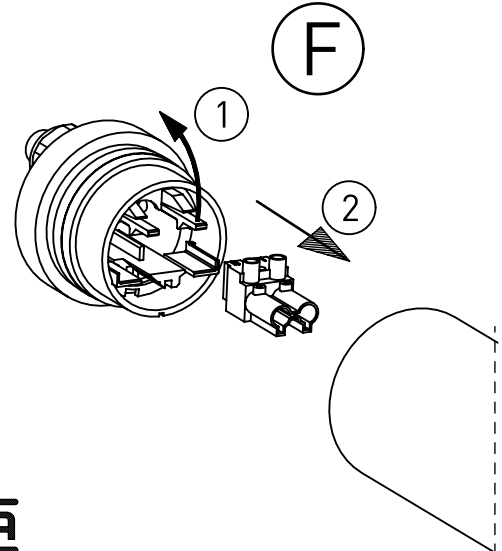
D



E



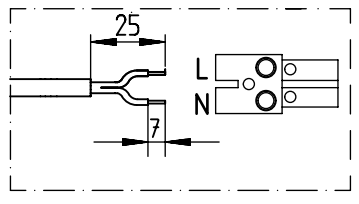
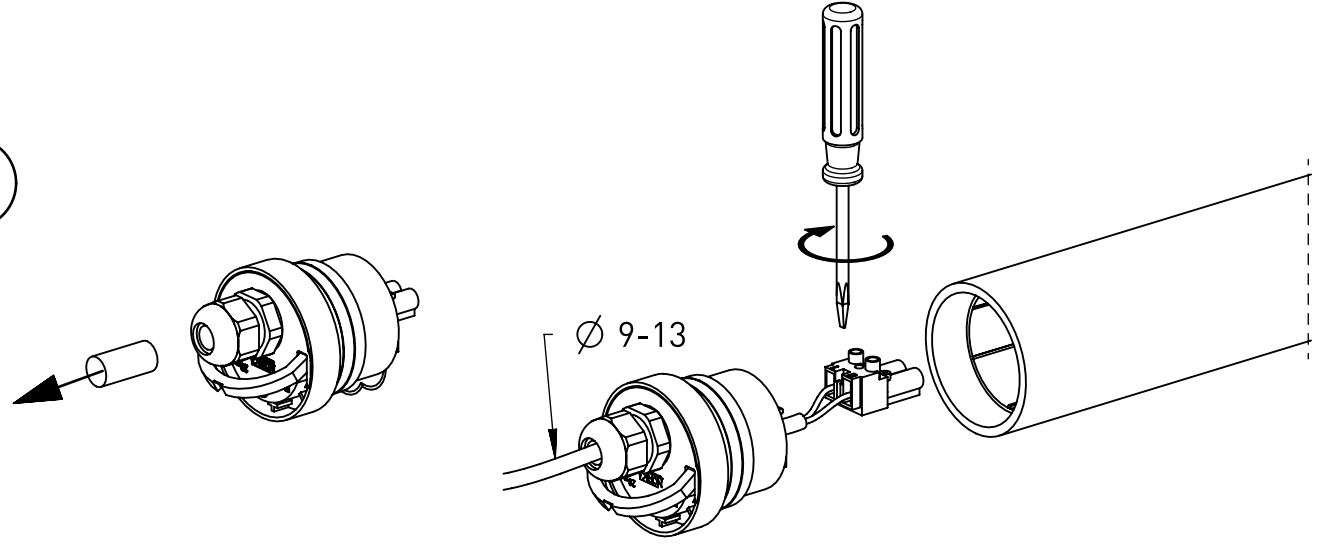
F



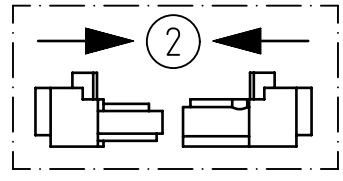
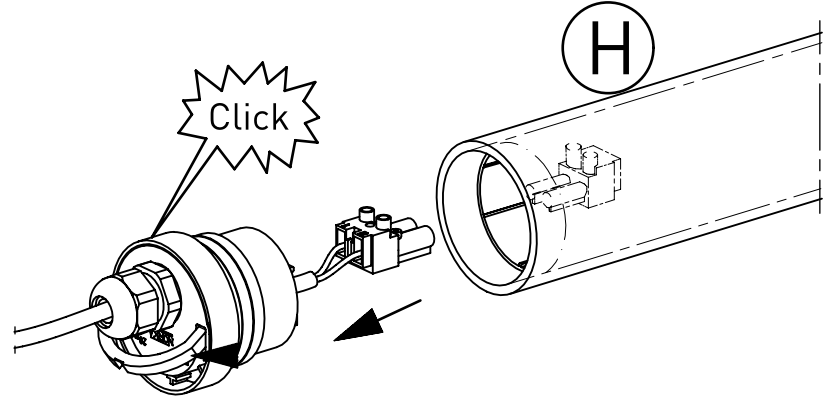
91-12-000233-01C/ 71545

NORKA

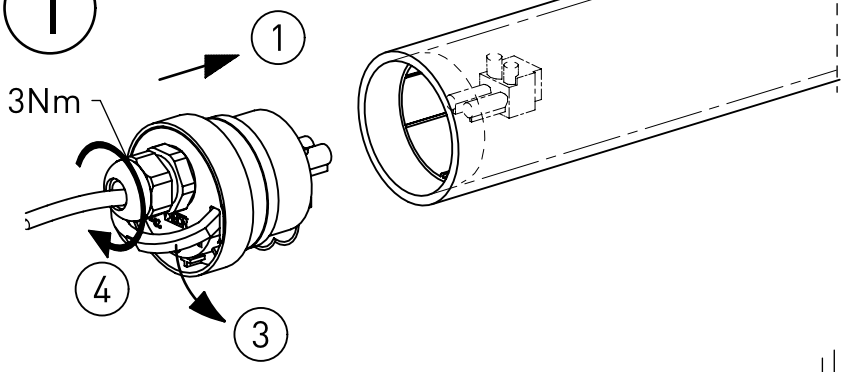
G



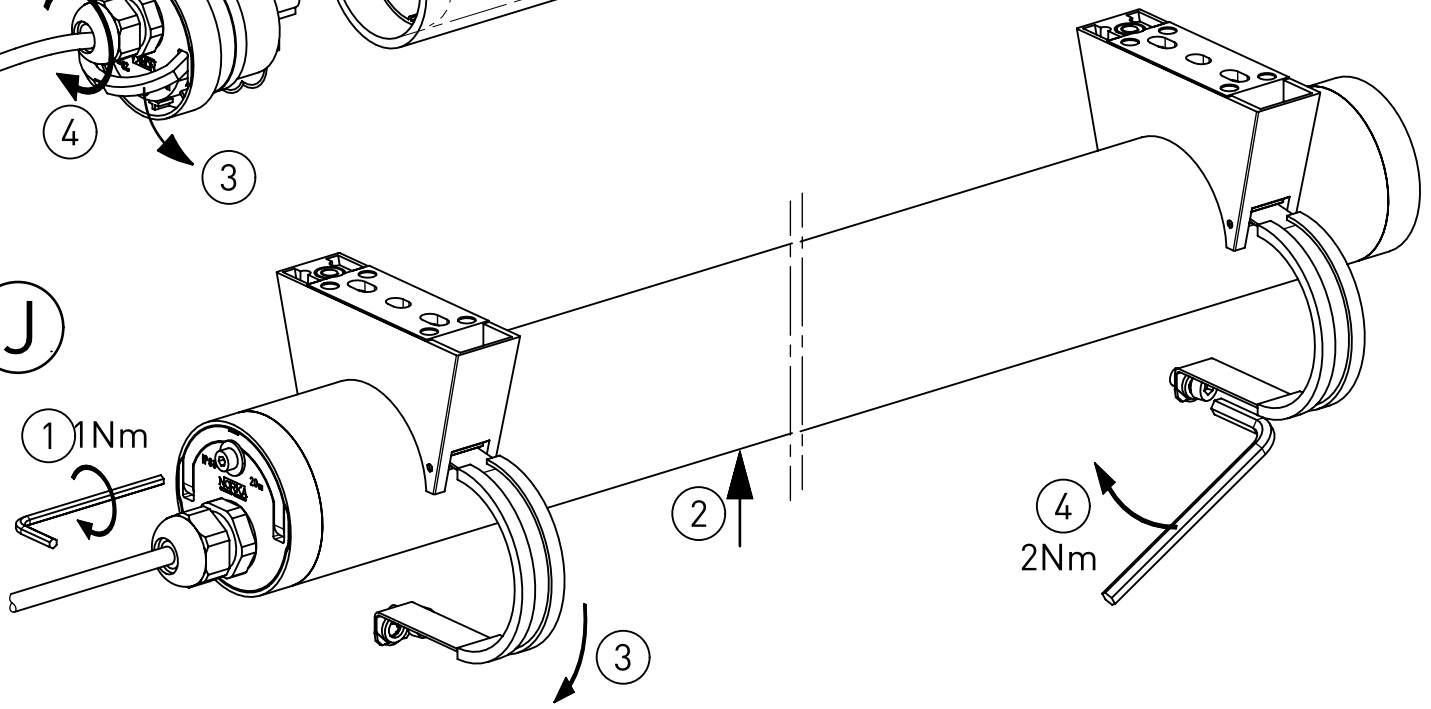
H



I

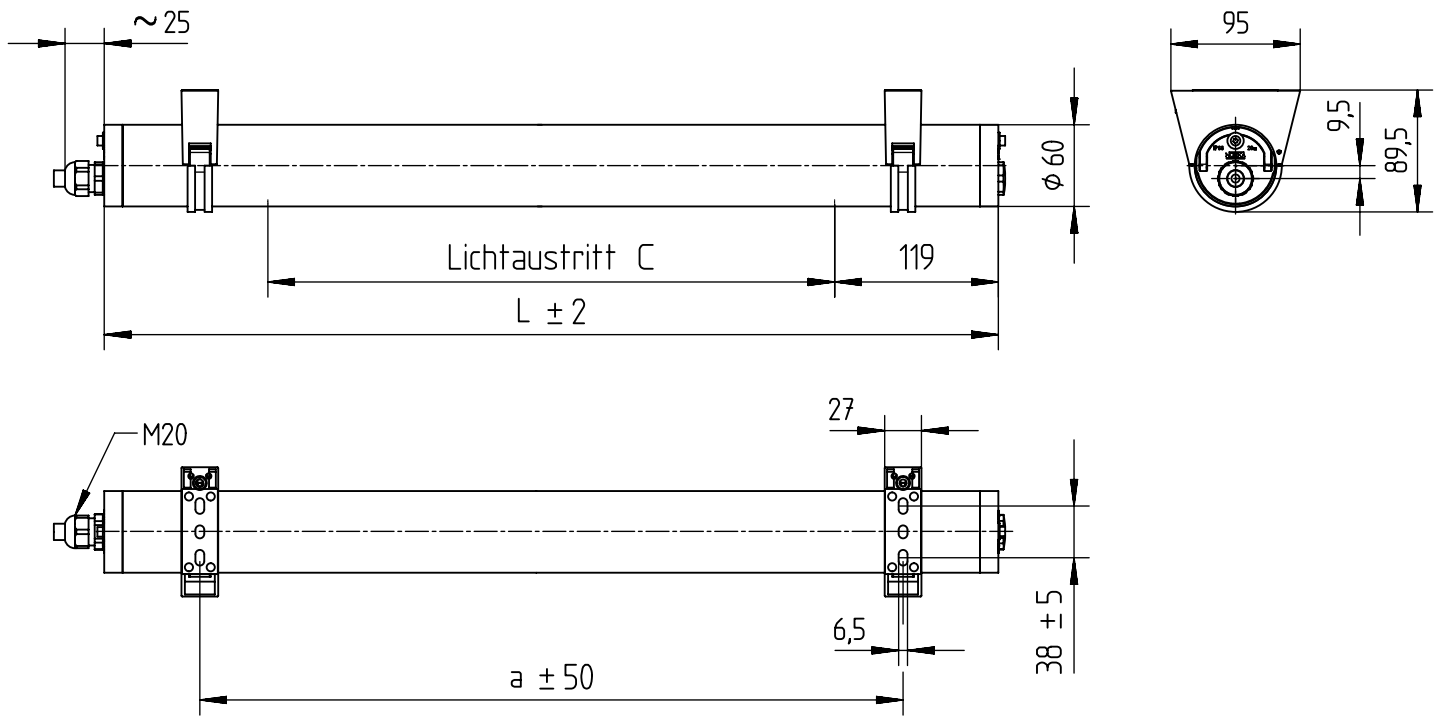


J

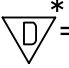


91-12-000233-01C / 71545

NORKA



m 2000	2220	2x1040	1980
m 1500	1740	1600	1500
m 1000	1260	1120	1020
m 500	780	640	540
230V LED	L [mm]	a [mm]	c [mm]

* = „Auch zur Verwendung in einer Umgebung, in der eine Ablagerung von leitfähigem Staub auf der Leuchte zu erwarten ist.“
 „Also for use in environments where an accumulation of conductive dust on the luminaire may be expected.“

NORKA

Norddeutsche Kunststoff-
 und Elektrogesellschaft
 Stäcker mbH & Co. KG

Lichttechnische Spezialfabrik

Kontakt
 Sportallee 8
 D-22335 Hamburg
 Germany

Tel.: +49 40 513009-0
 Fax: +49 40 513009-28
 info@norka.de
 www.norka.de

EC- Declaration of Conformity

Document- No.: **92-13-000149-01**

Reference: **e**

Manufacturer: Norddeutsche Kunststoff- und Elektrogenossenschaft
Stäcker mbH u. Co. KG
Lange Straße 1
27313 Dörverden- Hülsen

Product name: Luminaires type

BERN LED Ex Zone 2/22

⊕ II 3G Ex nR IIC T6 Gc

⊕ II 3D Ex tc IIIC T80°C Dc

The indicated products are in accordance with following European regulations:

2004/108/ EC- directive of electromagnetic compatibility

2006/95/ EC- low voltage directive

94/9/ EC- explosion prevention directive

Related standards:	EN 55015	EN 60598-2-24
	EN 61000-3-2	EN 60079-0/-15/-31
	EN 61547	EN 62471
	EN 60598-1	
	EN 60598-2-1	

Place/Date: Dörverden-Hülsen/ 24.09.2014

Issuer: Legally binding
by order



Laboratory Management

This declaration certifies the accordance with the stated regulations but doesn't include assurance of characteristics. The safety marking/advices of the supplied product information has to be observed.