

Datasheet

E2 LED Edgelight





CAT NO. 684730, 684731, 684732, 684733, 684740, 684741, 684742, 684743



684731



684730

Operating Mode	Maintained
Supply Voltage	240 Vac (+/- 6%) 50 Hz
Power Consumption	3W hrc / 2.2W lrc
Operating Temperature	10°C to 40°C
IP Rating	IP21
Body Construction	Injection moulded polycarbonate
Geartray	Injection moulded polycarbonate
Diffuser	Injection moulded acrylic
Compliance	AS/NZS 2293 AS/NZS 60598  

*hrc - high rate charge, lrc - low rate charge.

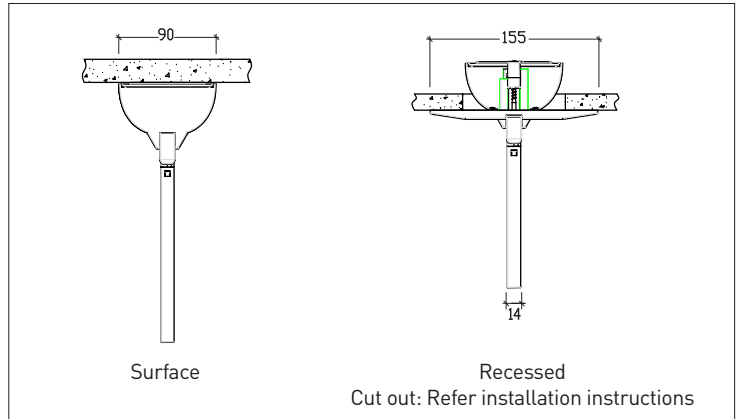
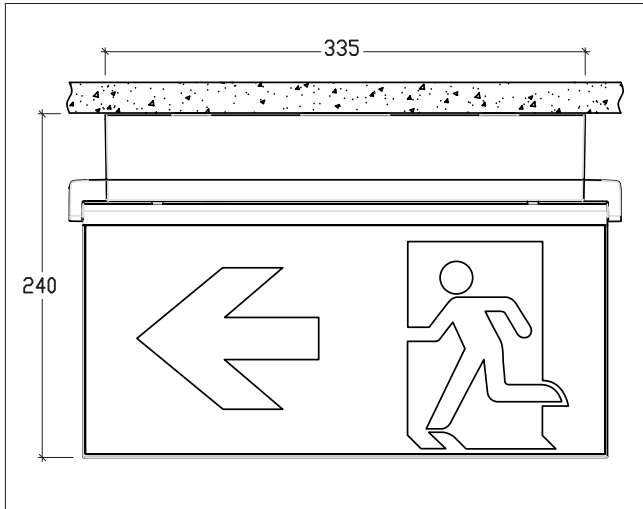
Datasheet

E2 LED Edgelight



CAT NO. 684730, 684731, 684732, 684733, 684740, 684741, 684742, 684743

Dimensions



- Premium Exit sign for a wide range of Emergency Lighting applications
- SPU or Axiom wireless computer-monitored
- All-in-one recessed and surface mounting versions for single and double-sided installation
- Long life LED light source using latest LED strip technology
- Dual rate + pulsed charging for maximum life of high temperature NiCd batteries
- Running Man decal options included ('EXIT' to order)
- Uses next generation "Slide Connect" bracket (included)
- Manufactured in Australia

Recessed or Surface-mounted

SPU	684730	E2 Recessed/Surface + 4 Running Man decals
Axiom	684740	E2 Recessed/Surface + 4 Running Man decals

Surface-mounted

SPU	684731	E2 Surface only + 4 Running Man decals
	684732	E2 Surface only + No decals
	684733	E2 Surface only + 1 R Man decal - BLACK
Axiom	684741	E2 Surface only + 4 Running Man decals
	684742	E2 Surface only + No decals
	684743	E2 Surface only + 1 R Man decal - BLACK

Accessories

684735	E2 Lens Replacement Kit
684736	E2 Recess Plate Kit White
684737	E2 Mounting Block Kit White
684738	E2 Recess Plate Kit Black
684739	E2 Surface Mounting Block Kit Black

Maximum Spacing between luminaires				
Mounting height to AS 2293.1.2005	2.4	2.7	3.0	3.3
C10	7.7	8.0	8.3	8.6
C12.5	8.2	8.6	8.9	9.2

Replacement Part No.

686240	Battery Pack High Temperature NiCd 4 x AA cells in-line 650mAh
--------	---

Classification

Single-Sided	C0 C12.5, C90 C12.5
Double-Sided	C0 C10, C90 C12.5

Legrand Australia
1300 369 777
www.legrand.com.au
ABN 31 000 102 661

Legrand New Zealand
0800 476 009
www.legrand.co.nz

Refer to your group buying office, Legrand Sales Representative or Legrand Sales Office for pricing.

Please note: specifications are subject to change without prior notice.