

PRODUCT FAMILY DATASHEET

SPOT SQUARE DARKLIGHT ADJUST

Recessed mounted spotlight, adjustable, square shape



AREAS OF APPLICATION

- Replacement of halogen lamp spotlights
- General accent lighting
- Shops, boutiques
- Hotel rooms
- Bars, restaurants
- Galleries, museums
- Residential interiors

PRODUCT BENEFITS

- Cut off angle for comfortable indoor lighting
- High luminous efficacy
- Die-cast aluminum housing for improved heat dissipation
- Energy savings of up to 90 % compared to halogen lamp spotlights
- External driver for extended flexibility (compatible with selected DALI drivers)
- Easy replacement of external driver thanks plug with bayonet lock
- Design matches the LEDVANCE Spot-, Down- and Tracklight luminaire family
- 5 years guarantee

PRODUCT FEATURES

- Adjustable tilt angle: +/- 20°
- Initial color consistency: ≤ 4 SDCM
- Lens material: PMMA



TECHNICAL DATA

Product description	Electrical data			Luminaire control gear data				
	Nominal wattage	Nominal voltage	Mains frequency	ECG - Length	ECG - Width	Max. no. of lum. on circuit break. B16 A	Max. no. of lum. on circuit break. C10 A	Max. no. of lum. on circuit break. C16 A
SPOT SQUARE DK ADJ 8 W 3000 K BK	8.00 W	220...240 V	50/60 Hz	78 mm	32 mm	32	26	41
SPOT SQUARE DK ADJ 8 W 3000 K WT	8.00 W	220...240 V	50/60 Hz	78 mm	32 mm	32	26	41

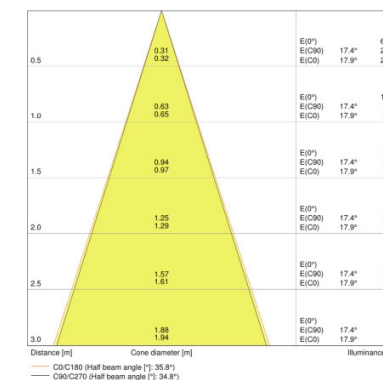
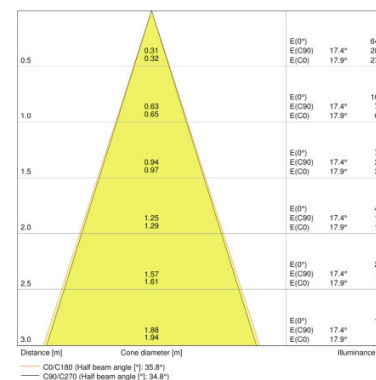
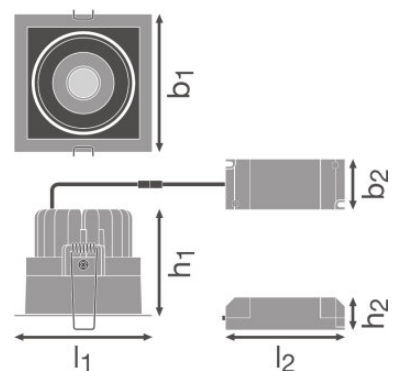
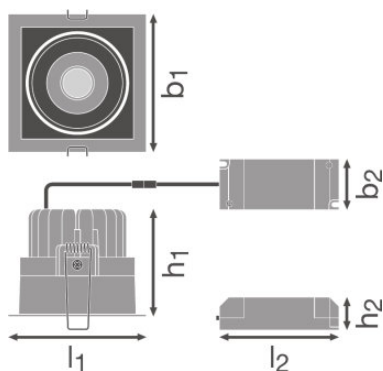
Product description	Photometrical data			Light technical data	Dimensions & weight				Colors & materials	
	Luminous flux	Light color (designation)	Color rendering index Ra	Beam angle	Length	Width	Height	Product weight	Body material	Product color
SPOT SQUARE DK ADJ 8 W 3000 K BK	650 lm	Warm White	>80	36 °	90.0 mm	90.0 mm	72.0 mm	230.00 g	Aluminum	Black
SPOT SQUARE DK ADJ 8 W 3000 K WT	650 lm	Warm White	>80	36 °	90.0 mm	90.0 mm	72.0 mm	230.00 g	Aluminum	White

Product description	Cover material	Temperatures & operating conditions	Lifespan			Capabilities	
		Ambient temperature range	Lifespan L70 at 25 °C	Lifespan L80 at 25 °C	Lifespan L90 at 25 °C	Adjustable	Dimmable
SPOT SQUARE DK ADJ 8 W 3000 K BK	Polymethylmethacrylate (PMMA)	-10...40 °C	50000 h	45000 h	30000 h	Yes	No
SPOT SQUARE DK ADJ 8 W 3000 K WT	Polymethylmethacrylate (PMMA)	-10...40 °C	50000 h	45000 h	30000 h	Yes	No

Product description	Type of connection	Certificates & standards	
		Protection class	Type of protection
SPOT SQUARE DK ADJ 8 W 3000 K BK	Screw terminal, 2-Pole (L,N)	II	IP20

Certificates & standards

Product description	Type of connection	Certificates & standards	
		Protection class	Type of protection
SPOT SQUARE DK ADJ 8 W 3000 K WT	Screw terminal, 2-Pole (L,N)	II	IP20



SPOT SQUARE DK ADJ 8 W 3000 K BK

SPOT SQUARE DK ADJ 8 W 3000 K WT

SPOT SQUARE DK ADJ 8 W 3000 K BK

SPOT SQUARE DK ADJ 8 W 3000 K WT

EQUIPMENT / ACCESSORIES

- Driver included

APPLICATION ADVICE

For more detailed application information and graphics please see product datasheet.

LOGISTICAL DATA

Product code	Product description	Packaging unit (Pieces/Unit)	Dimensions (length x width x height)	Volume	Gross weight
4058075114067	SPOT SQUARE DK ADJ 8 W 3000 K BK	Shipping carton box 6	345 mm x 115 mm x 245 mm	9.72 dm ³	1795.00 g
4058075114043	SPOT SQUARE DK ADJ 8 W 3000 K WT	Shipping carton box 6	345 mm x 115 mm x 245 mm	9.72 dm ³	1795.00 g

The mentioned product code describes the smallest quantity unit which can be ordered. One shipping unit can contain one or more single products. When placing an order, for the quantity please enter single or multiples of a shipping unit.

REFERENCES / LINKS

For Guarantee see

▶ www.ledvance.com/guarantee

DISCLAIMER

— Subject to change without notice. Errors and omission excepted. Always make sure to use the most recent release.