

Super LED Satellite

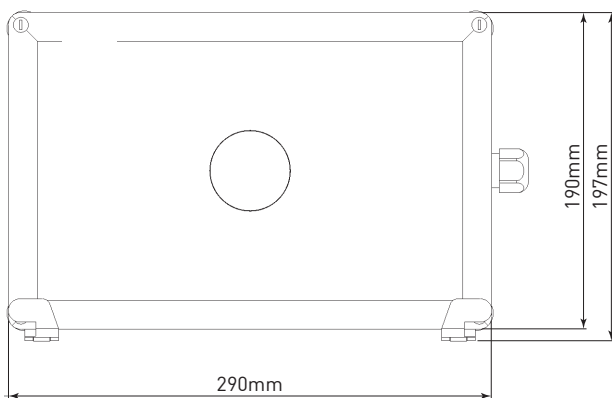
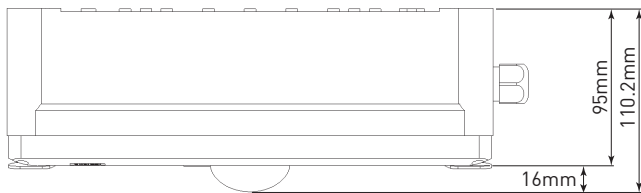
Designed to illuminate from high ceilings
and large areas in emergency situations



Super LED Satellite

Ideal for warehouses, exhibition centres, airports and industrial applications.

- Engineered dual refractive lens for wide optical distribution
- Discrete when compared to traditional battens or spotlights
- Minimises installation and capital costs with a D100 classification when compared to traditional battens
- Choice of single point unit or wireless axiom monitored versions
- Large terminal blocks
- IP65 weatherproof
- IK07 impact rating
- Mounting options include: surface, wall bracket, wire or rod suspension

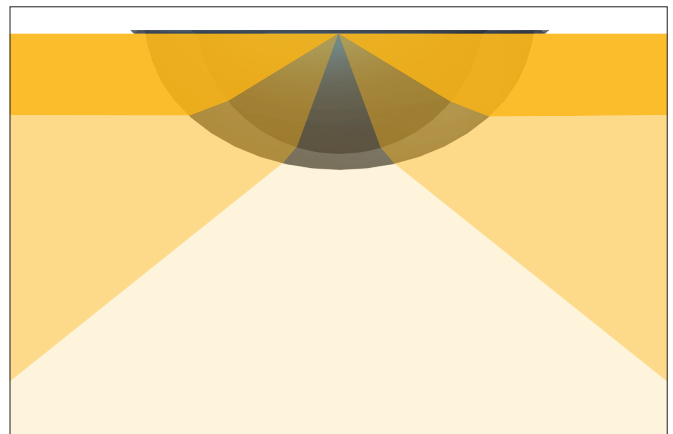


D100 Maximum Spacings

Installation Height	9m	10m	15m
Spacing	34.6m	35.3m	36.5m

As per AS2293

Cat No	Description
SPU	
685030	Super Satellite LED D100 IP65 Surface Mount Grey
685031	Super Satellite LED D100 IP65 Surface Mount Black
Axiom	
685032	Axiom Super Satellite LED D100 IP65 Surface Mount Grey
685033	Axiom Super Satellite LED D100 IP65 Surface Mount Black
Accessories	
686266	Suspension Rod Kit 1200MM Length Grey
686267	Suspension Rod Kit 3000MM Length Grey
686268	Suspension Rod Kit 1200MM Length Black
686269	Suspension Rod Kit 3000MM Length Black
685034	Suspension Wire Kit Grey
685035	Suspension Wire Kit Black
685036	Wall Bracket Grey
685037	Wall Bracket Black



Dual refractive lens designed to achieve D100 classification.

Legrand Australia
1300 369 777
www.legrand.com.au

Legrand New Zealand
0800 476 009
www.legrand.co.nz