

Datasheet

Bulkhead 360 LED - SPU and Axiom



CAT NO. 664164, 664165, 664168, 664169



664164



664165



664168



664169

Cat No.	664164	664165	664168	664169
Description	Bulkhead R 360 plain LED 4K	Bulkhead R 360 guard LED 4K	Bulkhead R 360 plain LED 4K Axiom	Bulkhead R 360 guard LED 4K Axiom
Design	Plain	Guard	Plain	Guard
Diameter (mm)	360			
Depth (mm)	145			
Weight (kg)	4.8	4.9	4.8	4.9
Operating mode	Maintained / Non-maintained			
Charge current	150mA (high rate) 38mA (low rate)			
Module luminous flux (lm)	2700			
Light source	LED			
Module wattage	18W			
Module luminous flux (lm)	2700			
Luminaire luminous flux (lm)	1800	1600	1800	1600
Classification	C0 / C90: D80			
Power pack wattage	4W			
Colour temperature (K)	4000			
Circuit power (W)	22			
Luminaire efficacy (lm/W)	81	72	81	72
Power factor	>0.9			
Supply voltage	240V 50Hz			
Ballast type	Fixed output / Non-dimmable			
Operating temperature	0°C to 40°C			
IP rating	IP65			
Impact rating	IK10			
Body construction	Die-cast aluminium			
Diffuser	Frosted polycarbonate			
Geartray	High reflective white powder coated mild steel			
Compliance	AS/NZS 60598			
Battery pack	2 x 5 Sub C 1.5 Ah NiCd			
Replacement battery pack	686244			

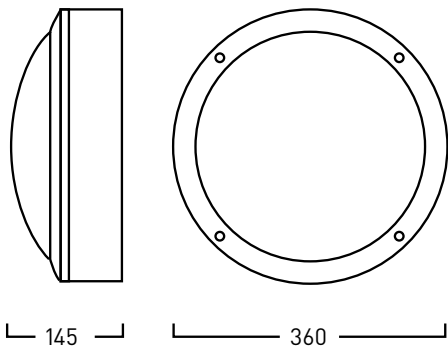
Bulkhead 360 LED - SPU and Axiom



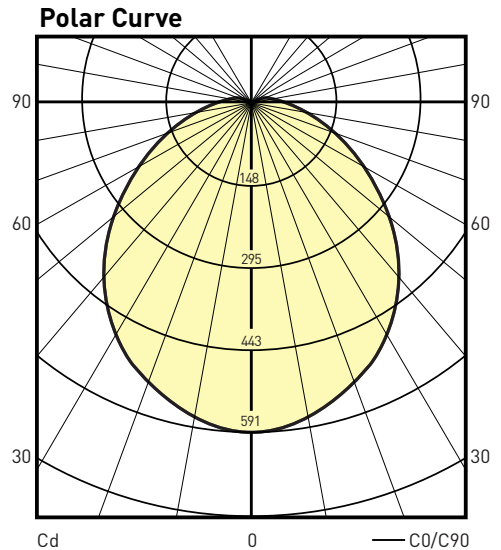
CAT NO. **664164, 664165, 664168, 664169**



- 22W LED, 4000K colour temperature
- L70 @ 50,000 hours
- CRI >80
- Robust die-cast aluminium construction
- IP65 protection
- Frosted diffuser
- Available in plain or guard
- IK10 impact resistant



Single product	
Cat No	Barcode
SPU	
664164	9321001454960
664165	9321001455004
Axiom	
664168	9321001454977
664169	9321001455011



664164 / 664168 - Bulkhead R 360 Plain LED 22W 4K
 ULOR: 3%
 DLOR: 97%

*Specifications subject to change without prior notice.

HPM Legrand - AUS
 1300 369 777
www.legrand.com.au
 ABN 31 000 102 661

HPM Legrand - NZ
 0800 476 009
www.legrand.co.nz

Refer to your group buying office, HPM Legrand Sales Representative or HPM Legrand Sales Office for pricing.