

8 661 015 019

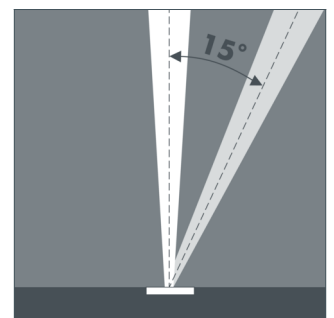
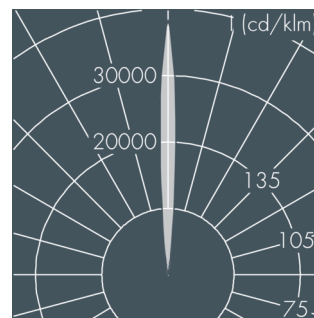
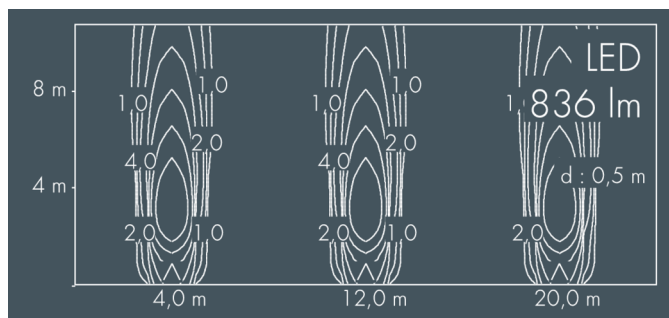
Uplight 280 LED, rotationally symmetrical narrow beam, adjustable

With 5 × 2,5 W high performance LED, 4000 K

protection class I, IP67, IK10

housing made of extruded aluminium and corrosion-resistant die-cast aluminium AlSi12, highly efficient rotational symmetrical anodized aluminium reflector, double polyester powder coated by high-quality, UV-stabilized coating process, all exterior parts are stainless steel, tempered high efficiency safety glass flush with frame, non-reflective coating on one side, silicon gasket, cable gland: M20, 0,8 m cable HO7RN-F3G1,5, integral control gear, CRI >80, max 2 SDCM, Service life L: 90, B:10 > 50.000 h

Part number	Colour	Light source	Weight	Beam angle (FWHM)
8 661 015 019	black	5 × 2,5 W high performance LED, 4000 K	6,30 kg	7°





Part number	Description
226 0 161	Cast resin connection box for direct connection to luminaire and for through wiring of 2 buried cables, for luminaires with installation sleeve and cable.



Part number	Description
126 0 160	Installation sleeve polypropylene, for luminaire with overlapping trim