

Data Sheet

LED Satellite – Corridor



CAT NO. 685212/LI, 685213/LI, 685214/LI, 685215/LI



No trim





Small round trim



Medium round trim



Square trim

Specifications		
Cat No	685212/LI, 685213/LI	685214/LI, 685215/LI
Type	SPU	AXIOM
Battery pack	Li-ion 6.4V, 3.0Ah with PCM-B	
Operating Voltage	240V a.c. +/- 6% 50Hz	
Power Consumption	2W	
Body Constructions	Polycarbonate	
Operating Temperature	10° to 40°	
IP Rating	IP20	
Compliance	AS/NZS 2293 AS/NZS 60598  	

LED Satellite – Corridor

CAT NO. 685212/LI, 685213/LI, 685214/LI, 685215/LI



- Suitable for all emergency lighting applications
- Energy efficient: less than 1W energy consumption in stand by mode
- Easy to install
- Suitable for different hole sizes
- One high Brightness LED
- iSmart™ temperature sensing technology for LIION battery
- Electronics designed to lengthen the life of the battery
- SPU or Axiom options
- Also available in black
- 5 year warranty
- Manufactured in Australia

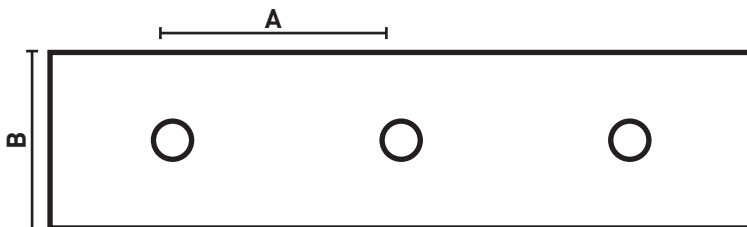
Cat No	Description	Classification C ₀ /C ₉₀
SPU		
685212/LI	LED Satellite Flex and Plug White	D80/E16
685213/LI	LED Satellite Flex and Plug Black	D80/E16
Axiom		
685214/LI	Axiom LED Satellite Flex and Plug White	D80/E16
685215/LI	Axiom LED Satellite Flex and Plug Black	D80/E16

Trim	Dimensions	Hole cut-out
No Trim	56mmØ	52mmØ
Small ring	80mmØ	52mm - 60mmØ
Medium ring	120mmØ	52mm - 85mmØ
Medium square	120 x 120mm	52mm - 85mmØ

Spacing table:

Maximum spacings between luminaires as per AS/NZS 2293

Mounting Height (m)	2.4	2.7	3	3.3	3.6	4.0
A	22.0	22.8	23.6	24.3	25.0	25.8
B	9.2	9.8	10.6	11.0	11.6	12.2



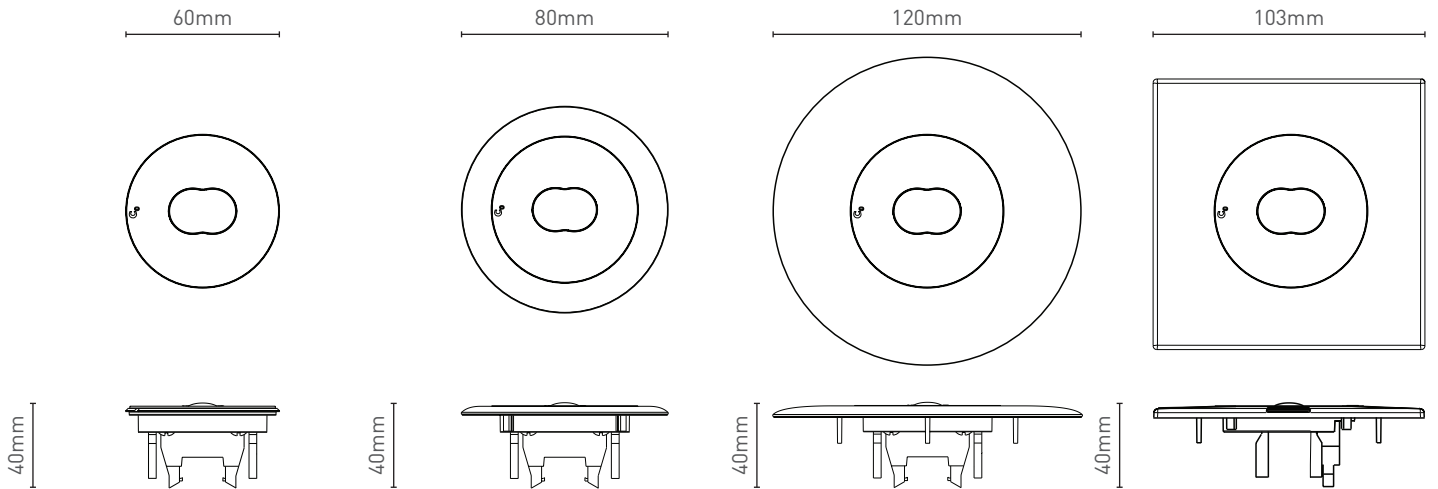
LED Satellite – Corridor

CAT NO. 685212/LI, 685213/LI, 685214/LI, 685215/LI

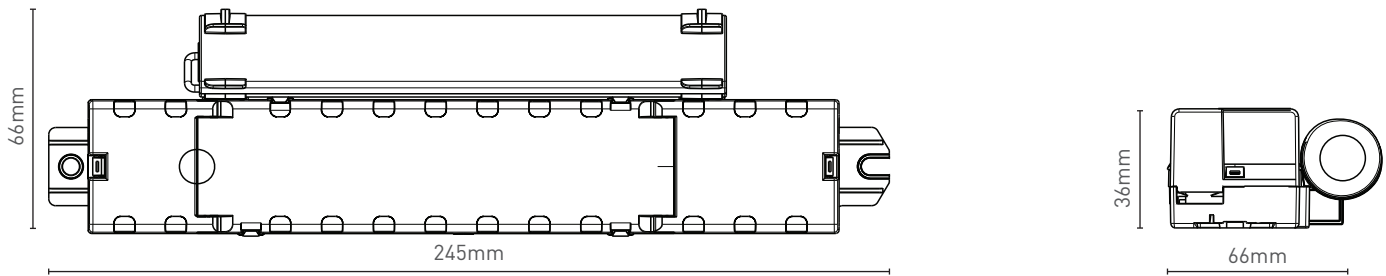


DIMENSIONS

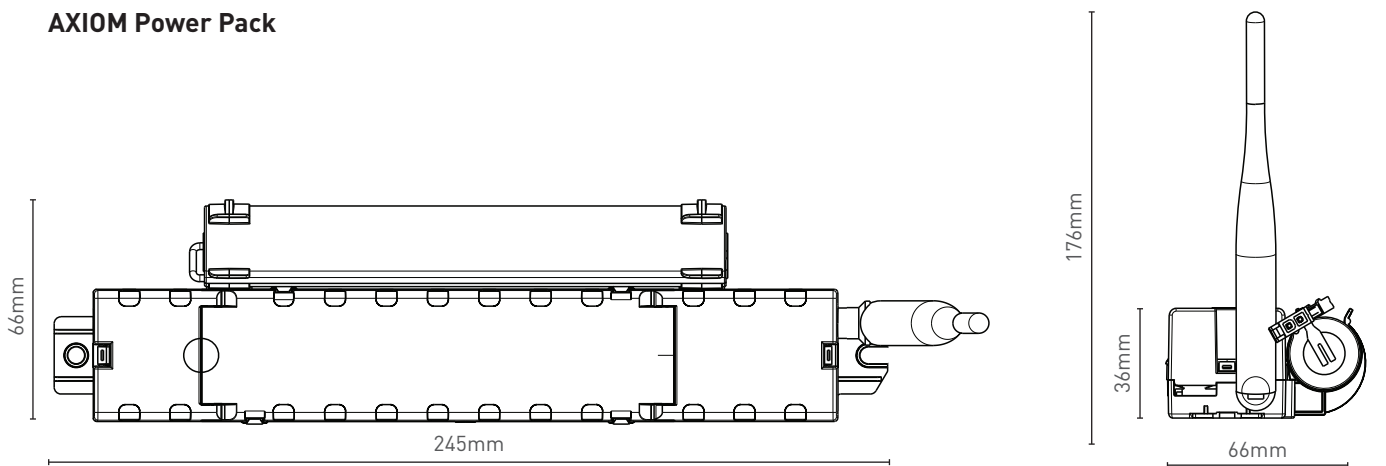
Fascia



SPU Power Pack



AXIOM Power Pack



Legrand - Australia
1300 369 777
www.legrand.com.au
ABN 31 000 102 661

Legrand - New Zealand
0800 476 009
www.legrand.co.nz

Refer to your group buying office, Legrand Sales Representative or Legrand Sales Office for pricing.

Please note: specifications are subject to change without prior notice.