



# Data Sheet

## Super LED Satellite

CAT NO. 685030, 685031, 685032, 685033



Cat No	685030	685031	685032	685033
Colour	Grey	Black	Grey	Black
Type	SPU		AXIOM	
Battery Pack	NiCd 10 x 1500A Hr Sub-C Cells			
Operating voltage	240V a.c. +/- 6% 50Hz			
Operating Mode	Non-maintained			
Energy Consumption	5.2Whrc/2.7Wlrc			
Body Constructions	Polycarbonate			
Operating Temperature	10°C to 40°C			
Lighting Classification	C <sub>0</sub> /C <sub>90</sub> D100			
IP Rating	IP65			
IK Rating	IK07			
Compliance	AS/NZS2293 AS/NZS60590  			

\*hrc - high rate charge, lrc - low rate charge

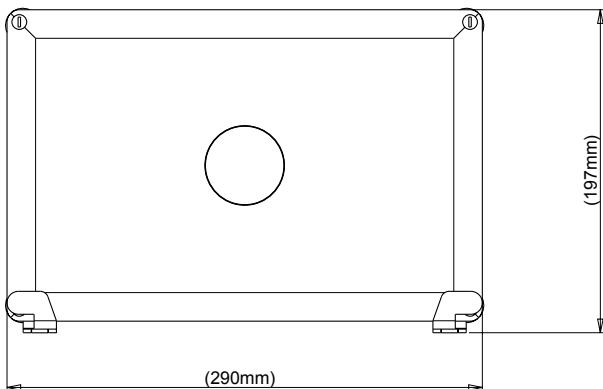
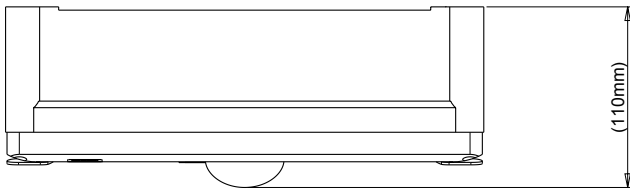
# Super LED Satellite

CAT NO. 685030, 685031, 685032, 685033



- Suitable for high ceilings and large areas
- Two rate charge mechanism
- One high Brightness LED
- D100 emergency classification
- SPU or Axiom options
- Several mounting options: surface, wall bracket, suspension rod or suspension wire
- Available in Grey and Black finish
- IP 65
- IK07
- Manufactured in Australia

## Dimensions:



Cat No	Description
<b>SPU</b>	
685030	Super LED Satellite D100 IP65 Surface Mounting Grey
685031	Super LED Satellite D100 IP65 Surface Mounting Black

<b>Axiom</b>	
685032	Axiom Super LED Satellite D100 IP65 Surface Mounting Grey
685033	Axiom Super LED Satellite D100 IP65 Surface Mounting Black

<b>Accessories</b>	
686266	Suspension Rod Kit 1200mm length Grey
686267	Suspension Rod Kit 3000mm length Grey
686268	Suspension Rod Kit 1200mm length Black
686269	Suspension Rod Kit 3000mm length Black
685034	Suspension Wire Kit Grey
685035	Suspension Wire Kit Black
685036	Wall Bracket Grey
685037	Wall Bracket Black

## D100 Maximum Spacings

Installation Height	9m	10m	15m
Spacing	34.6m	35.3m	36.5m

As per AS2293

Legrand - Australia  
1300 369 777  
www.legrand.com.au  
ABN 31 000 102 661

Legrand - New Zealand  
0800 476 009  
www.legrand.co.nz

Refer to your group buying office, Legrand Sales Representative or Legrand Sales Office for pricing.

Please note: specifications are subject to change without prior