



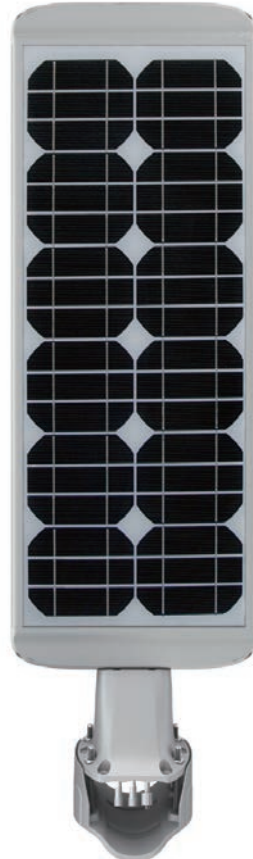
LEADSUN

AE2 Series Affordable lighting for smaller areas



All-In-One Model

North/South installations only



Split Model

Multi-directional installations



Featuring solar power outputs ranging from 15 to 30W and with a battery capacity of up to 154Wh, the AE2 series is perfect for smaller lighting applications such as pedestrian pathways, building entrance & shelter areas. Mono-crystalline PV modules optimise solar energy capture. A Pulse-Width Modulation (PWM) smart-controller enables smooth and responsive dimming via activation of the built-in motion-sensor, plus pre-configured LED power & on/off time capabilities enable the use of these smaller solar panels and batteries whilst still providing ample light when required. The solar module integrates all the key electronic components including an innovative dual LiFePO4 lithium-ion battery system that withstands frequent charging & discharging cycles, delivering sustained and reliable power throughout the night. Best-in-class LED chips ensure bright and crisp illumination for up to 15 years.

This is a set-and-forget stand-alone solution.

Leadsun's AE2 series is wholly modular, making maintenance and upgrading quick, easy and affordable. Combine it with a lowerable pole, and installation becomes a two-man job done in a matter of minutes.



Lithium-Ion
Battery System



SMART
Controller



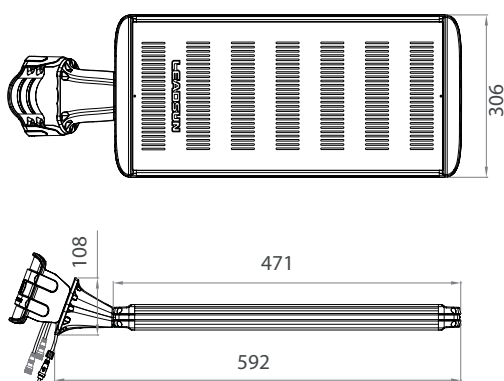
Monocrystalline
Solar Module



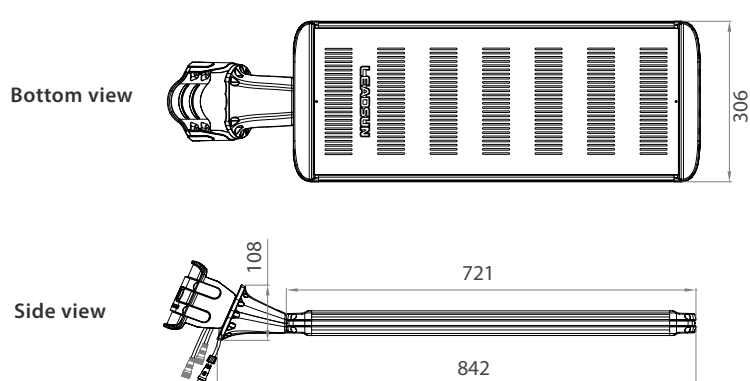
Advanced LED
Lighting System

SOLAR ENGINE MODULE DIMENSIONS (mm)

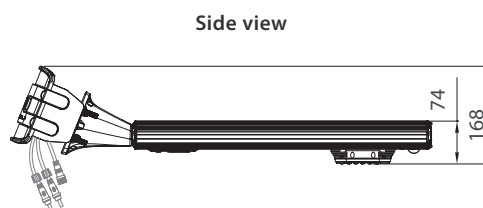
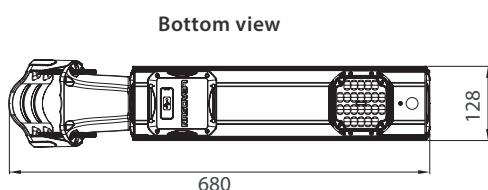
15W solar module (AE2S15)



30W solar module (AE2S30)



LED LIGHT HEAD DIMENSIONS (mm)



SOLAR ENGINE TECHNICAL DATA

Model No.	AE2S15	AE2S30
Physical Parameters		
Solar module power output (W)	15	30
Lithium battery capacity (Wh)	82(12.8 Vdc)	164 (12.8 Vdc)
Net weight of product (kg)	6.4	7.5
Dimension of product (mm)	592(L) × 306(W) × 108(D)	842(L) × 306(W) × 108(D)
Pole mounting diameter	55mm - 80mm	55mm - 80mm
System wind speed rating (kph)	178	178
Technical Parameters		
Battery charging temperature range	0°C–60°C	0°C–60°C
Battery discharging temperature range	-20°C–60°C	-20°C–60°C
Controller type	PWM (Programmable)	PWM (Programmable)
Optics type	T3	T3
Photoelectric switch on/off level (lx)	30	30

LED LIGHT HEAD TECHNICAL DATA

Model No.	LSRM12-A2	LSRM12-B2
Physical Parameters		
Net weight of product (kg)	3.6	3.8
Dimension of product (mm)	680(L) × 128(W) × 74(D)	680(L) × 128(W) × 74(D)
Light Parameters		
LED output (W)	5	10
LED colour temperature (K)	5000	5000
LED typical luminous flux (lm)	750	1500
Motion sensor type	Passive Infra Red	Passive Infra Red