

**ORDERING INFORMATION**

CODE	PRODUCT CODE	DESCRIPTION	PRODUCT NUMBER	CARTON QTY
I5002	EV-BOXIT-CEILING-24M	Boxit ceiling mounted exit	9336462150023	4

**OPERATIONAL INFORMATION**

GENERAL				BATTERY	
Voltage	~220-240V	Emergency Classification	C0:E2 C90:E1.6 (2Hr)	Battery type	LiFePO4
Frequency	50 Hz	Mounting type	Surface / Rod mount	Battery code	01307
Ambient temp.	0-40°C	Duration	120 min	Battery voltage	3.2V
Class	2	Lamp power	0.95W	Charger type	Variable
Wiring	Hardwired			Charger time	16 hours
IP rating	IP20				

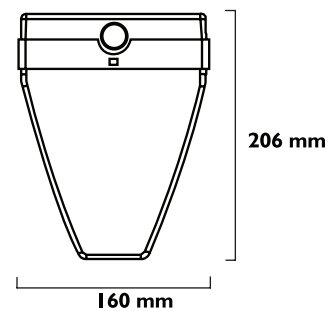
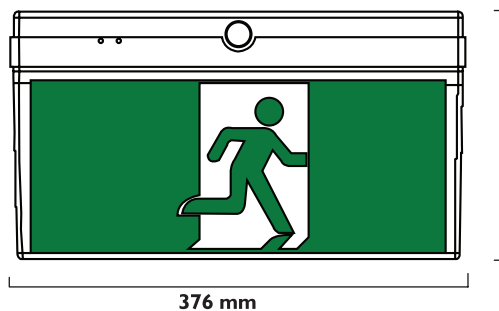
**TOTAL POWER CONSUMPTION (TPC)**

NON-MAINTAINED MODE	
Max.	Avg.
3.60W	3.33W

**CONSTRUCTION AND DIMENSIONS**

<b>BODY (FINISH)</b>	PC	<b>GEAR TRAY</b>	PC
<b>DIFFUSER</b>	PC	<b>CUT OUT</b>	N/A

**NOTE:** For more information on the chemical resistance of our polycarbonate, please see the technical downloads page at [ektor.com.au](http://ektor.com.au)


**ACCESSORIES LIST**

CODE	ORDER CODE	DESCRIPTION
I2572	EV-BOXIT-DP	Boxit decal pack wall & ceiling (1 x left, 1 x right and 1 x straight)
I4500	EV-BOXIT-GT	Boxit LED gear tray (decal pack included)
I4746	EV-BOXIT-DIFF-CEIL	Boxit ceiling diffuser (decal pack included)
I4908	EV-BOXIT-DIFF-WALL	Boxit wall diffuser (decal pack included)
01990	EV-RODMOUNT-WHT	Rod mount brackets only for roof and luminaire body - white (rod size Ø25mm)
01307	EV-1500mAh-3.2V-LiFePO4	Lithium battery 1500mAh 3.2V

Datasheet is subject to change without notice

 Last updated: **18. July 2018\_V5.0**

 Please view our website for **full datasheet**